

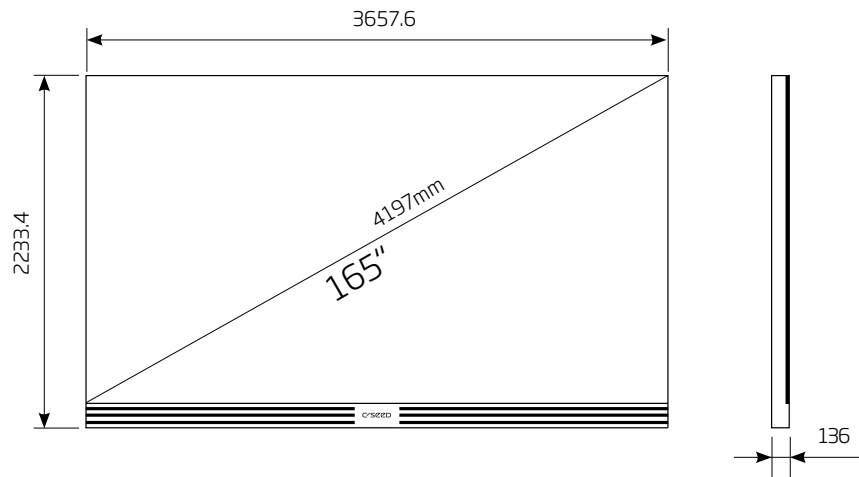


IMPLEMENTATION CONCEPT

C SEED BLADE 165

C/SEED

THE UNFOLDING TV



PHYSICAL DIMENSIONS

| | | |
|----------------------------------------|-----------------------|------------|
| LED TV size (diagonal) | inch/mm | 165 / 4197 |
| LED TV size (width) | inch/mm | 144 / 3657 |
| LED TV size (height) | inch/mm | 81 / 2057 |
| Standard LED screen depth | inch/mm | 3.23 / 82 |
| Total TV depth incl mounting structure | inch/mm | 5.35 / 136 |
| LED TV area | sq.ft./m ² | 81 / 7.52 |
| Pixel resolution (width) | pixels | 3.840 |
| Pixel resolution (height) | pixels | 2.160 |
| LED TV weight | kg | 252 |

TV SYSTEM

| | | |
|-------------------------------------|---------|----------------|
| Brightness | nits | 800 |
| Pixel Pitch | mm | 0.9 |
| Brightness control | | Manual |
| Number of Micro-LEDs | | 8,294,400 |
| Processing depth | bit | 16 per color |
| Color spectrum | colors | 64 billion |
| Refresh rate | Hz | 3,840 |
| Lifespan | h | 100,000 |
| Contrast ratio | | 20,000:1 |
| Colour temperature adjustable | K | 3,000 - 10,000 |
| Viewing angle-horizontal | degrees | 170 |
| Viewing angle-vertical | degrees | 170 |
| LED fixings | | front-service |
| Broadband speaker peak out | type | 4 x 180W |
| Subwoofer peak out | type | 2 x 90W |
| Speaker & Subwoofer frequency range | | 50 Hz - 22 kHz |

INPUT / OUTPUT

| | |
|--------------------|-------------------------------|
| Video input | HDMI2.0/DP1.4 |
| Serial in/output | 2 x USB |
| Audio output | pre-amp, 9.2, independent sub |
| Network connection | 1 x RJ45 |

OPERATION

| | | |
|-----------------------------|------------------|-----------------------|
| Power supply LED screen | | 6x 100-240V, 50-60 Hz |
| Input power (max) | W/m ² | 480 |
| Input power (typical) | W/m ² | 160 |
| Power consumption (max) | kW | 3,6 |
| Power consumption (typical) | kW | 1,2 |

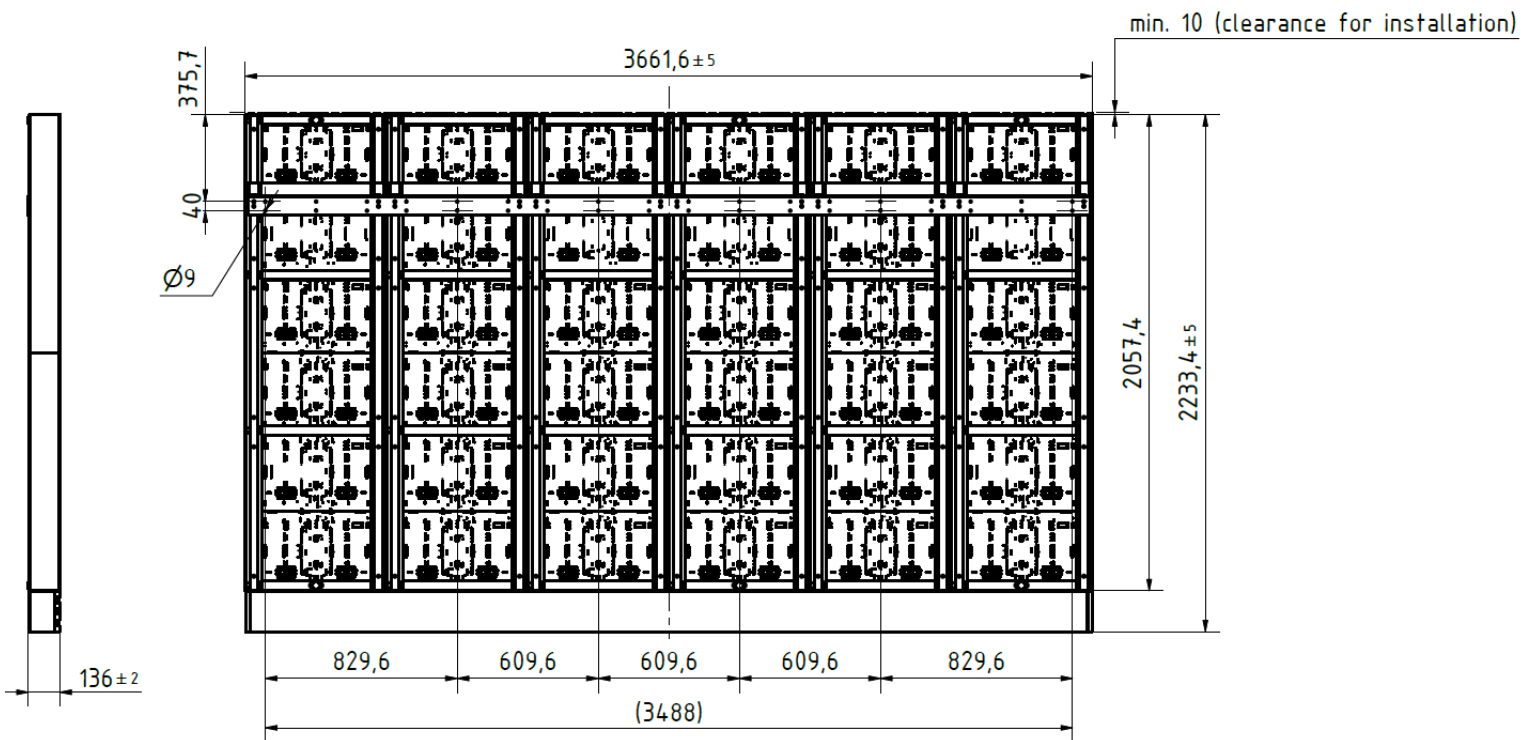
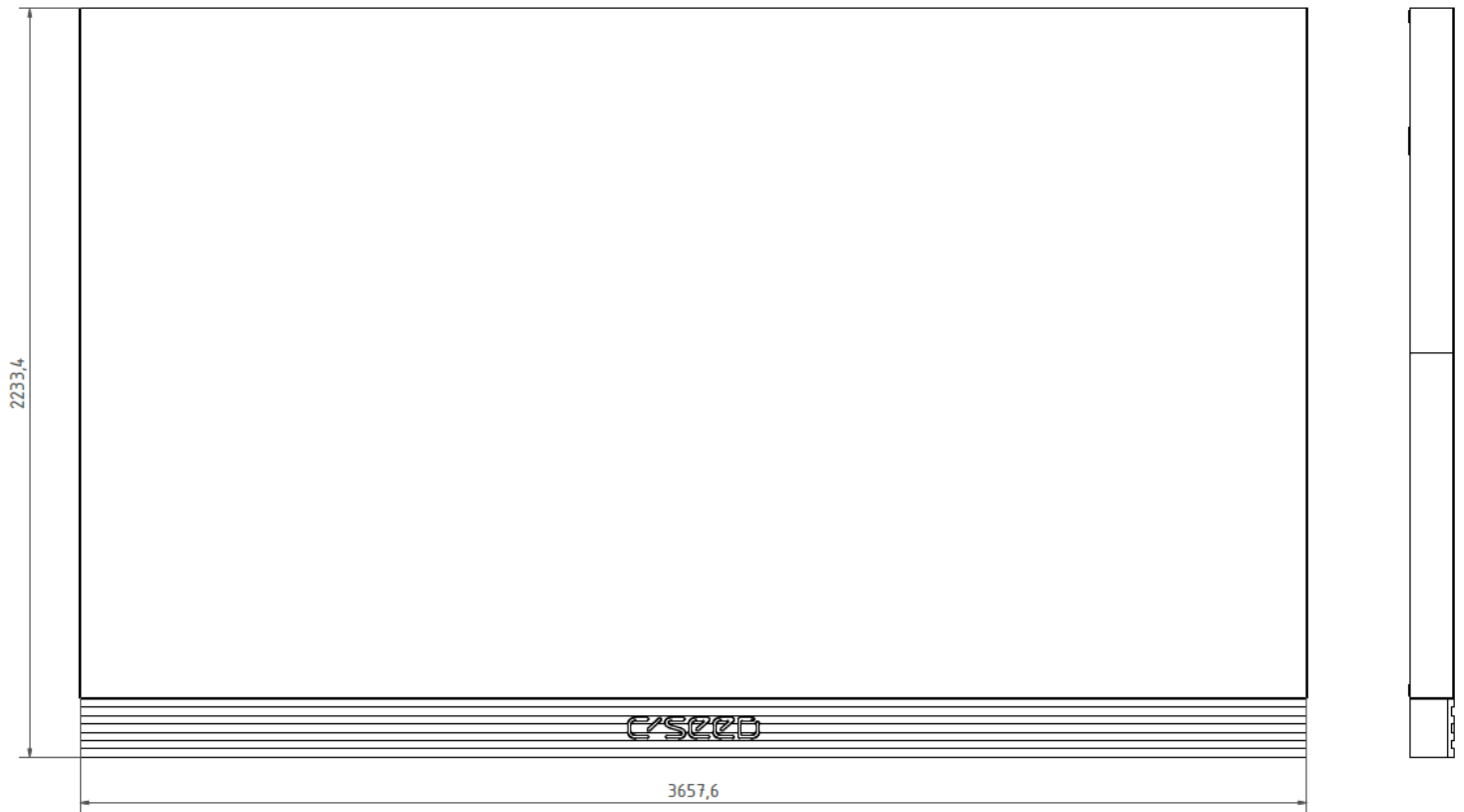
EQUIPMENT

| | | |
|-----------------|----------------|--------------------------|
| 9.2 AV-Receiver | Remote control | 4K LED HDR10+ Controller |
|-----------------|----------------|--------------------------|



ACCORDING TO EXACT POSITIONS OF CABLING CONDUITS:

- C SEED 165 Blade to AV-Rack in Technical room (max. 50 m | 160 feet)



BACK VIEW

CABLING DUCTS AND CONDUITS

- Cabling canal | 4-5 inches (not less) located between Technical room and TV (power connection)

AV-RACK IN TECHNICAL ROOM

- SAT | video | TV signals to be connected via HDMI inputs
- 1 x 100-240V, 50-60 Hz
- Internet connection as of beginning of installation (permanent)
- 22 RU of 19" x 800mm deep equipment rack space - AV-Rack will be supplied by C SEED
- Number of HDMI inputs (max. 3)
- Location max. 50m | 160 feet from TV

Additional:

- The inputs include CVBS, VGA, SDI, DVI, HDMI and DP. They support input resolution up to 2160p@60Hz. Highest pixel clock is 165MHz. Output bandwidth is up to 4Gbit. Advanced de-interlacing motion adaptive processing technology is adopted so that images are clear and fine. And with DMI, the gray scale depth can be up to 12bits.
- Each input can be fully configured with contrast, brightness, hue, saturation, and RGB gain. Inputs can be scaled up or down to fit the LED display resolution.
- Computer software for system configuration is not necessary. The system can be configured using one wheel and one button. You can also configure the system with browsers. This gives you the option of using a remote PC (Windows or Mac or Linux), a pad or even a smart phone to do the con-figuration. Real-time previews assist with system set-up and confirm source status.
- The AV controller has DMX512 and GenLock interface. Professional control and synchronization are ready to go. Optical fiber outputs enable the confident long-distance data transmission.

SERVICES PROVIDED BY AND AT THE EXPENSES OF THE OWNER OF THE VENUE

- Power Supply: High power: 7x 100-240V, 50-60 Hz; Power plug with 7 breakers x 16A fuse box
- Internet connection at the multi media server as of beginning of the installation
- WIFI I WLAN at the venue as of beginning of the installation
- Cabling ducts & conduits for TV system according C SEED electrical conduits plan (project specific)
- Cables and cable installation according to C SEED electrical cable plan (project specific)
- Assemble ethernet connectors and provide test protocols
- Space for AV-Rack with dimensions H: 1,170mm x W: 800mm x D: 800mm in Technical room
- Sat I video I TV signals
- Electrical test protocol according to international standards of all cables must be provided to C SEED prior installation
- Connecting Power Supply by local electrician

SERVICES PROVIDED BY C SEED

- Plan of locations (indoor) of system components - sketch
- Coordination with local electrician
- Coordination with local sat I video I TV professional
- Implementation, programming & testing of the C SEED TV
- TCP/IP control protocol for home automation
- Operation training for technical staff of the venue
- Handover & Acceptance Protocol

Contacts

| | |
|-----------------------------------|-------|
| Owner representative | _____ |
| Construction company of the venue | _____ |
| C SEED Project manager | _____ |

Vers.: 2.5/HP/25.07.2023

"The information and specification contained in the implementation concept are information purpose only and are subject to change without prior notice"

www.cseed.com