

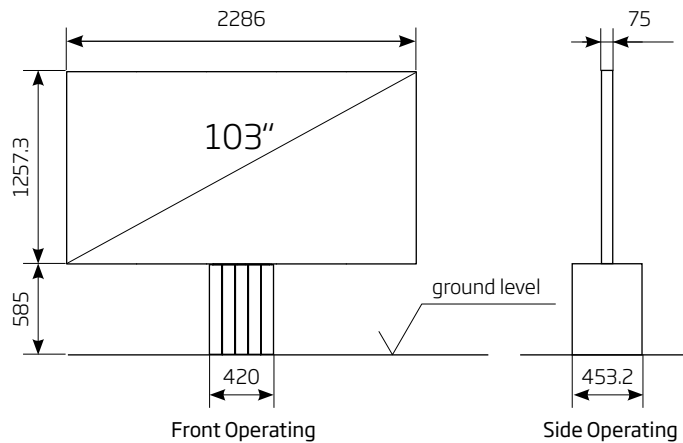


IMPLEMENTATION CONCEPT

C SEED M1
103

C/SEED

THE UNFOLDING TV



PHYSICAL DIMENSIONS TV

LED TV size (diagonal)	inch/mm	103 / 2609
LED TV size (width)	inch/mm	90 / 2286
LED TV size (height)	inch/mm	49.4 / 1257.3
Standard LED screen (depth)	inch/mm	2.9 / 75
LED TV area	sq.ft./m ²	30.9 / 2.87
Total system weight		615kg 1360lbs

TV SYSTEM

Resolution		4K (UHD)
Brightness	nits	800
Pixel pitch	mm	0.4
Processing depth	bit	16 per color
Color spectrum	colors	64 billion
Refresh rate	Hz	3,840
Lifespan LED	h	100,000
Contrast ratio		30,000:1
Color temperature	K	3,000 - 10,000
Viewing angle- horizontal vertical	degrees	170 170
Operating temperature range		°C: 0 to +40 °F: +32 to +104
Broadband speaker peak out	W	2 x 250
Broadband speaker frequency range	Hz	40 - 22,000
Subwoofer peak out	W	1 x 500
Subwoofer frequency range	Hz	24 - 200

INPUT / OUTPUT

Video input	HDMI2.0/DP1.4
Serial in/output	2 x USB
Audio output	pre-amp, 9.2, independent sub
Network connection	1 x RJ45

OPERATION

Power supply LED screen	Single-Phase/Split-Phase (US)	240V/120V+PE/60A(*32A)/50-60Hz
Input power max typical	W/m ²	480 160
Power consumption max typical	kW	1.5 0.5

*only after review and approval of C SEED engineering

DIMENSIONS OF THE TV FLOOR OPENING (supplied by owner of the venue)

Concrete basin size (Length)	inch/mm	96.5 2450
Concrete basin size (Width)	inch/mm	35.5 900
Concrete basin size (Height)	inch/mm	19.7 500

SPECIFIC FEATURES

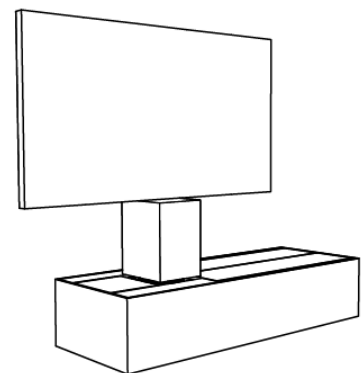
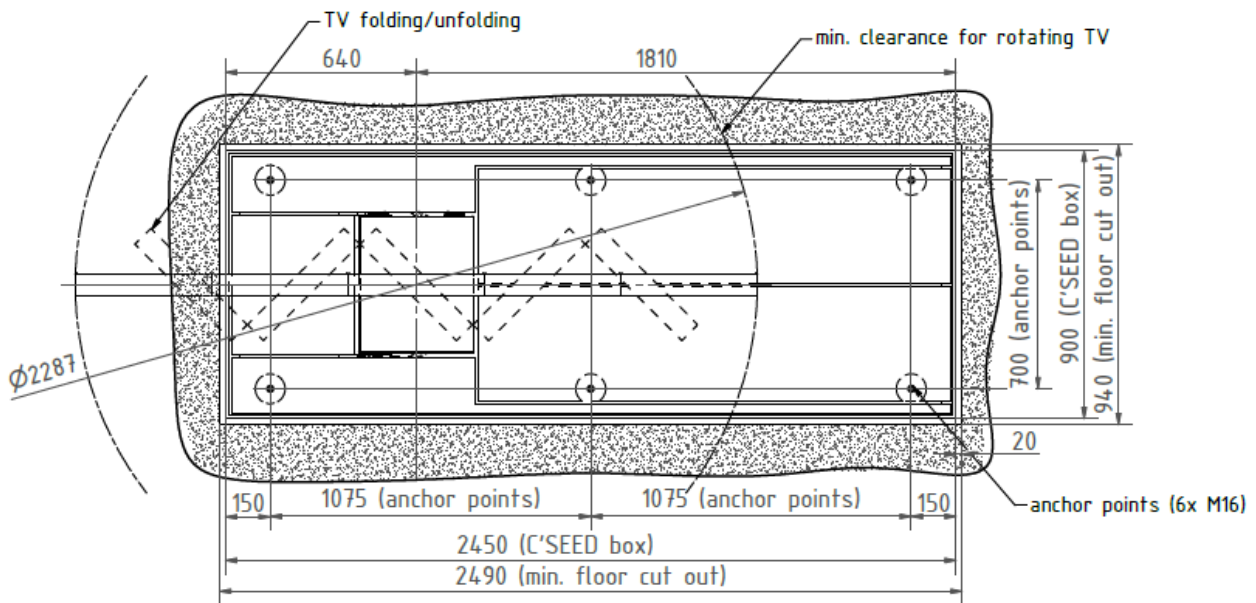
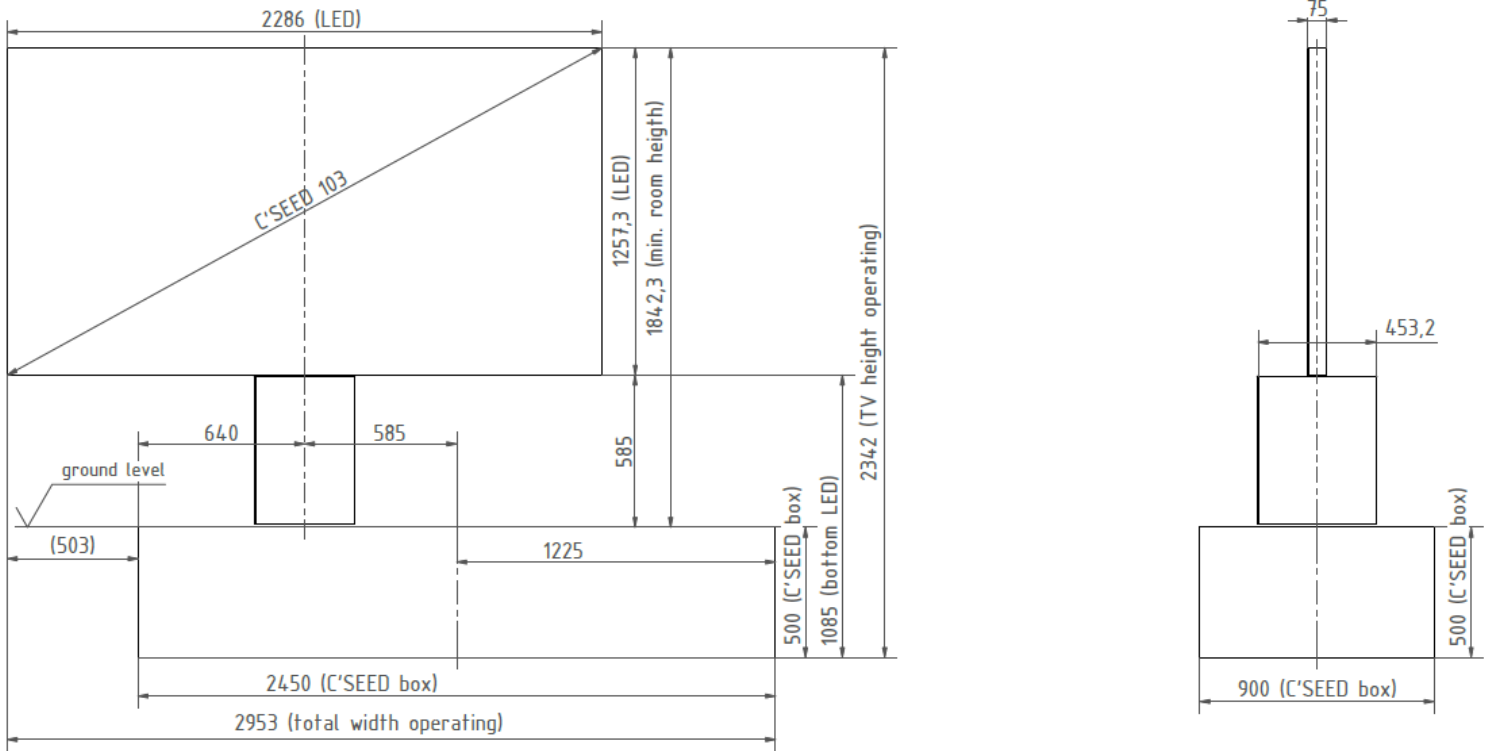
Adaptive Gap Calibration (AGC)	Automatic TV Cover with Flush Mount Floor Option		
Sound System 2.1	4K LED HDR10+ Controller	4 individual colors	TV-Rotation 180° left/right



ACCORDING TO EXACT POSITIONS OF CABLING CONDUITS:

- C SEED M1 to AV-Rack in Technical room (max. 50 m | 160 feet)

TECHNICAL IMPLEMENTATION FLUSH-MOUNT



DIMENSIONS OF THE TV FLOOR OPENING (if in floor flush mount)

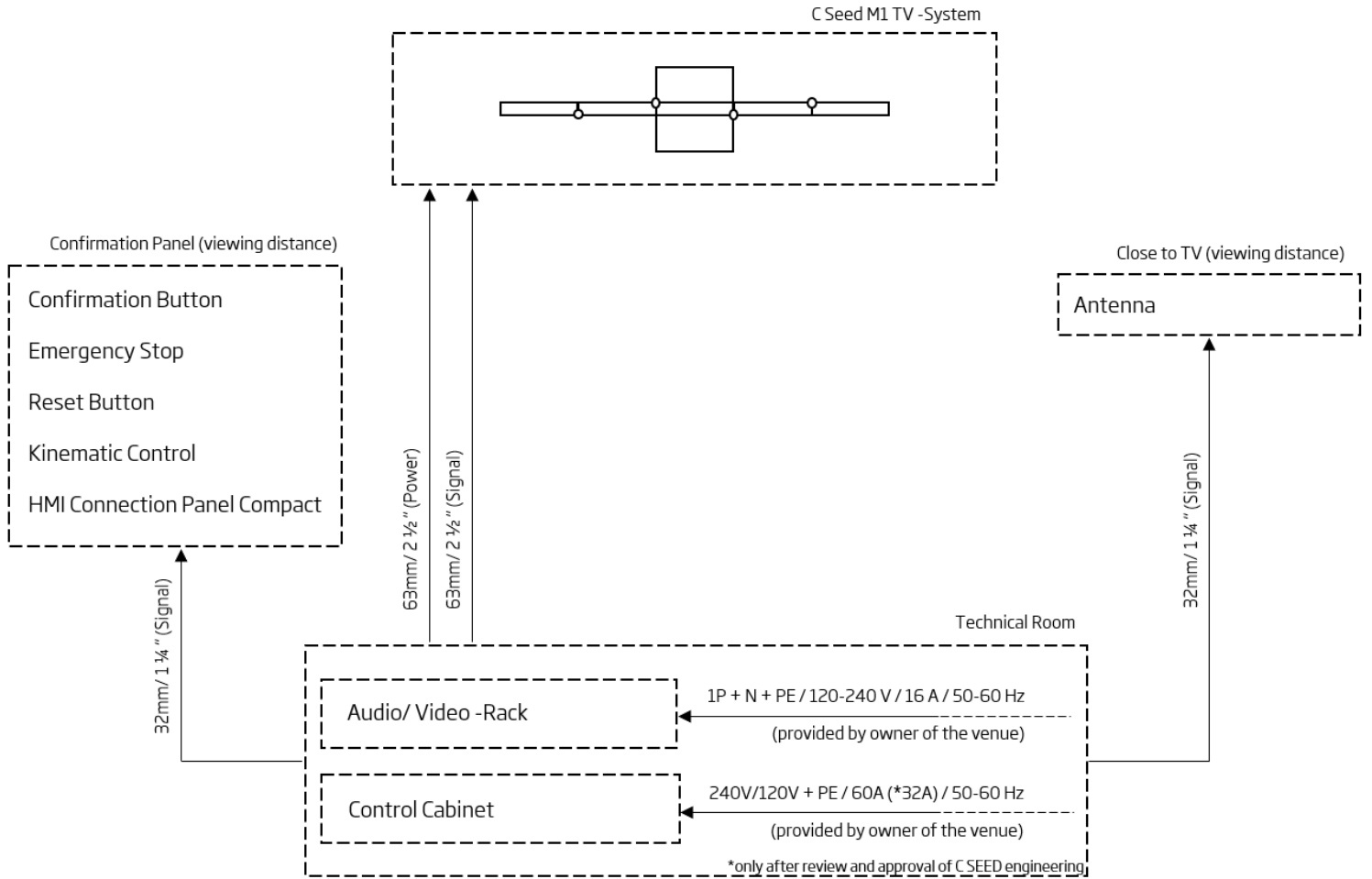
- 2490x940x500 mm | 98x37x19.7inches | LxWxD
- Earthing of the TV well (min. 3 times)
- Hatch-inlay thickness max. 12mm | 0.5inch (incl. glue) and max 25Kg/m² | 5lbs/sq.ft.

TECHNICAL ROOM

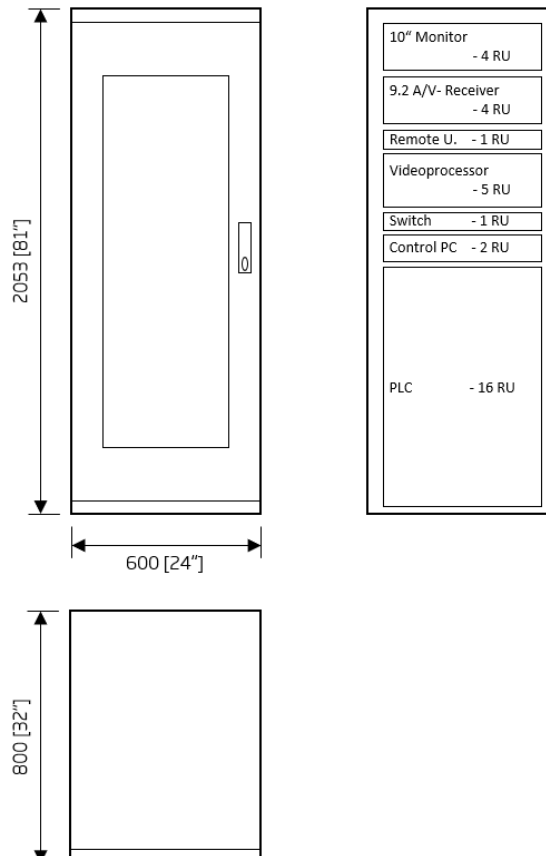
max. 50m | 160 feet to TV system

AV-Rack (will be supplied by C SEED)

- AV-Rack with 42RU - 600x2053x800 mm | 24x81x32 inches | WxHxD
- Feed cable with 5 pins or 4 pins plus additional earthing
- Connector on left side (200mm | 8 inches free space must be reserved)
- Power protection with a "fault-current circuit breaker AC/DC sensitive and electric frequency converter capable"
- SAT | Video | TV signals to be connected via HDMI inputs
- Internet connection as of beginning of installation (permanent!)



AV- Rack



**SERVICES PROVIDED BY AND
AT THE EXPENSES OF THE OWNER OF THE VENUE**

- Power Supply:
Single-Phase/Split-Phase (US): 240V/120V+PE/60A(*32A)/50-60Hz
*only after review and approval of C SEED engineering
- Internet connection at the AV - Rack as of beginning of the installation
- WIFI I WLAN at the venue as of beginning of the installation
- Cabling ducts & conduits for TV system according C SEED electrical conduits plan (project specific)
- Cables and cable installation according to C SEED electrical cable plan (project specific)
- Sat I video I TV signals at the AV-Rack
- Connecting Power Supply by local electrician
- Electrical test protocol according to international standards of all cables must be provided to C SEED prior installation

SERVICES PROVIDED BY C SEED

- Site visit - meeting with construction company, civil engineer etc.
- Standard plan for construction of the TV well for local civil engineer
- Project related engineering package
- Coordination with local electrician
- Coordination with local sat I video I TV professional
- Implementation, programming & testing of the C SEED M1 103
- TCP/IP control protocol for home automation
- Operation training for technical staff of the venue
- Handover & Acceptance Protocol

Contacts

Owner representative _____

Construction company of the venue _____

C SEED Project manager _____

Vers.: 4.1/HP/22.07.23

“The information and specification contained in the implementation concept are information purpose only and are subject to change without prior notice”