

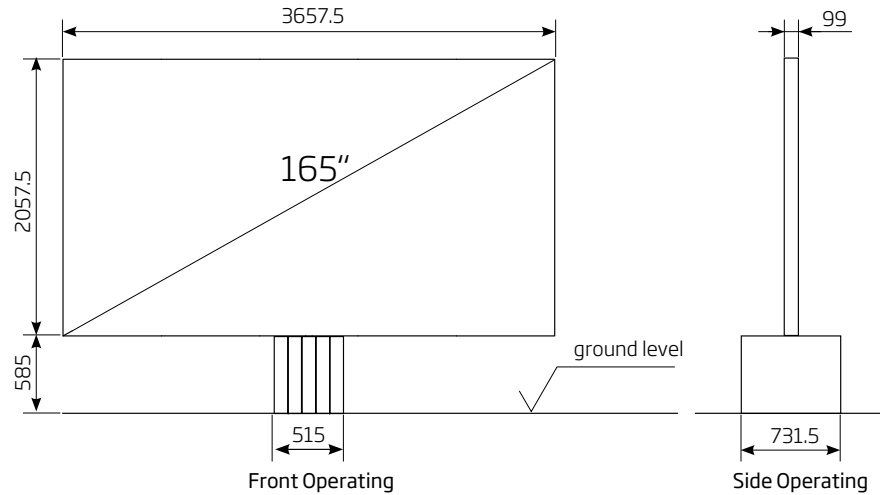


IMPLEMENTATION CONCEPT

C SEED M1
165

C/SEED

THE UNFOLDING TV



PHYSICAL DIMENSIONS TV

| | | |
|-----------------------------|-----------------------|-----------------|
| LED TV size (diagonal) | inch/mm | 165 / 4196 |
| LED TV size (width) | inch/mm | 144 / 3657.5 |
| LED TV size (height) | inch/mm | 81 / 2057.5 |
| Standard LED screen (depth) | inch/mm | 3.9 / 99 |
| LED TV area | sq.ft./m ² | 81 / 7.53 |
| Total system weight | | 1100kg 2430lb |

TV SYSTEM

| | | |
|--------------------------------------|---------|---------------|
| Resolution | | 4K (UHD) |
| Brightness | nits | 1,000 |
| Pixel pitch | mm | 0.9 |
| Processing depth | bit | 16 per color |
| Color spectrum | colors | 64 billion |
| Refresh rate | Hz | 1,920 |
| Lifespan LED | h | 100,000 |
| Contrast ratio | | 30,000:1 |
| Color temperature | K | 6,500 - 9,000 |
| Viewing angle- horizontal vertical | degrees | 160 140 |
| Operating temperature range | °C | 0 - 40 |
| Broadband speaker peak out | W | 2 x 250 |
| Broadband speaker frequency range | Hz | 40 - 22,000 |
| Subwoofer peak out | W | 1 x 700 |
| Subwoofer frequency range | Hz | 24 - 200 |

INPUT / OUTPUT

| | |
|--------------------|-------------------------------|
| Video input | HDMI2.0/DP1.4 |
| Serial in/output | 2 x USB |
| Audio output | pre-amp, 9.2, independent sub |
| Network connection | 1 x RJ45 |

OPERATION

| | | |
|---------------------------------|------------------|---------------------------|
| Power supply LED screen | Standard | 3 x 400V+N+PE/16A/50-60Hz |
| | High-Leg-Delta | 3 x 240V+PE/30A/50-60Hz |
| Input power max typical | W/m ² | 480 160 |
| Power consumption max typical | kW | 3.6 1.2 |

DIMENSIONS OF THE TV FLOOR OPENING (supplied by owner of the venue)

| | | |
|------------------------------|---------|------------|
| Concrete basin size (Length) | inch/mm | 167 4248 |
| Concrete basin size (Width) | inch/mm | 47 1200 |
| Concrete basin size (Height) | inch/mm | 30 755 |

SPECIFIC FEATURES

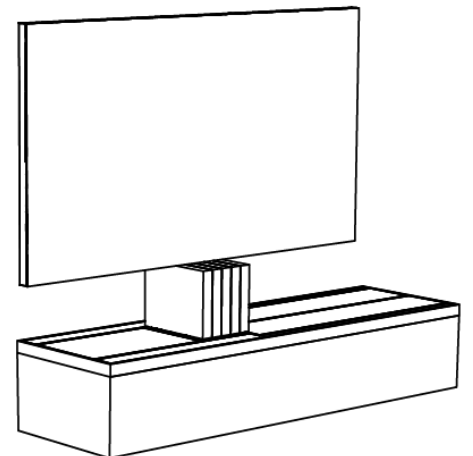
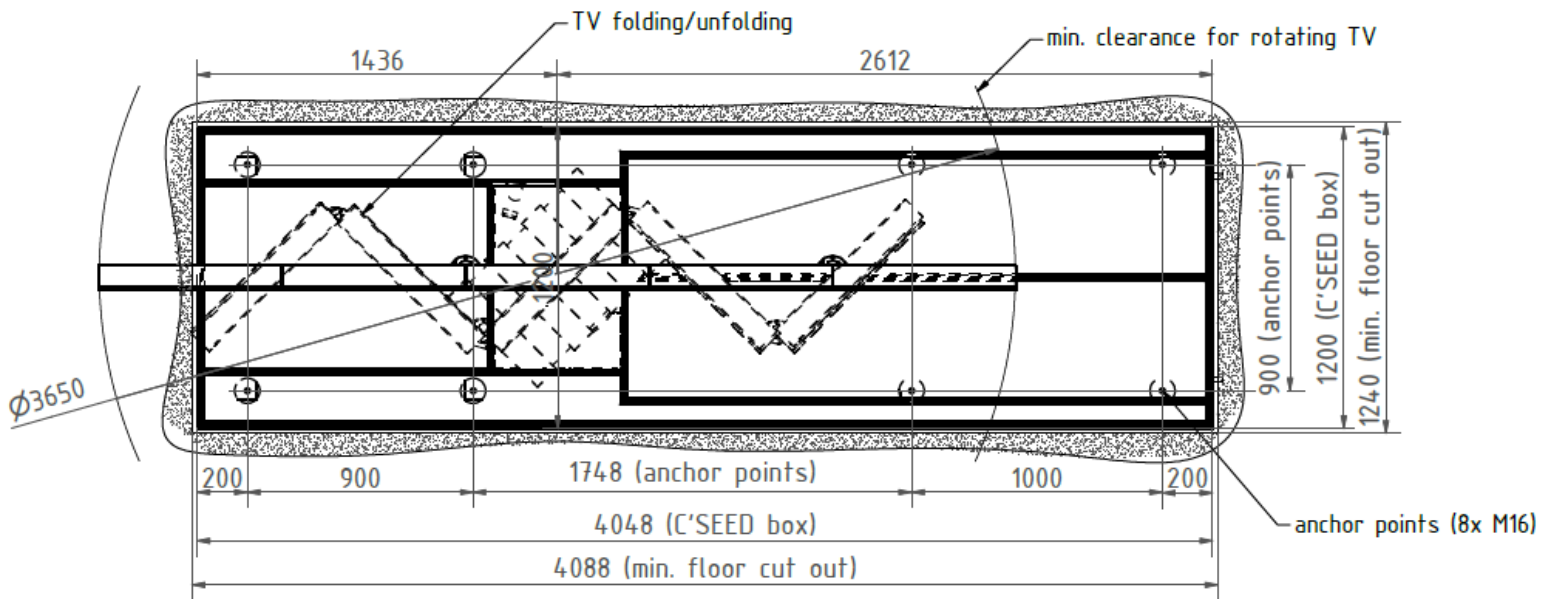
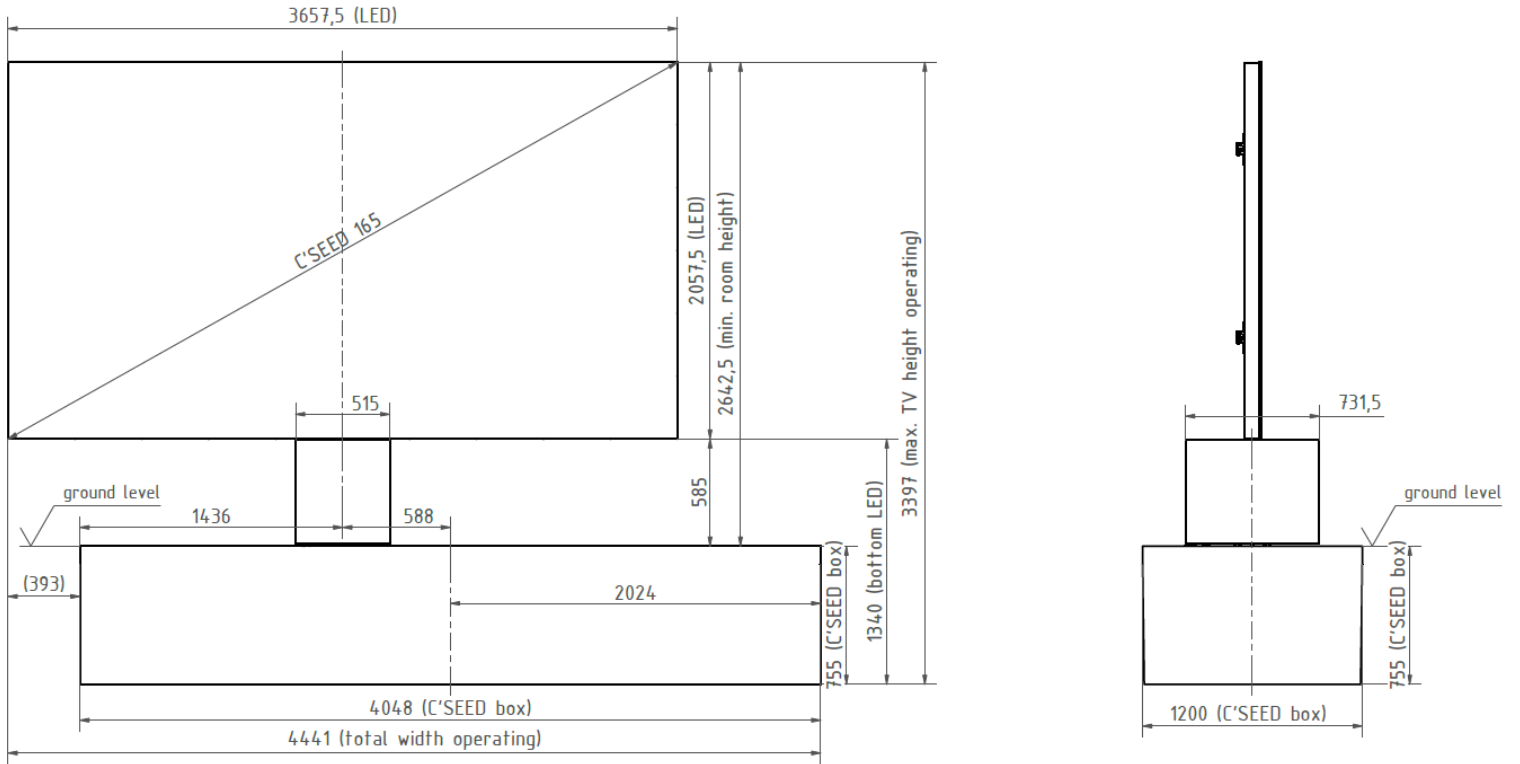
| | | | |
|--------------------------------|--|---------------------|-----------------------------|
| Adaptive Gap Calibration (AGC) | Automatic TV Cover with Flush Mount Floor Option | | |
| Sound System 2.1 | 4K LED HDR10+ Controller | 4 individual colors | TV-Rotation 180° left/right |

* transformer required | ** phase converter and transformer required



ACCORDING TO EXACT POSITIONS OF CABLING CONDUITS:

- C SEED M1 to AV-Rack in Technical room (max. 50 m | 160 feet)



DIMENSIONS OF THE TV FLOOR OPENING (if in floor flush mount)

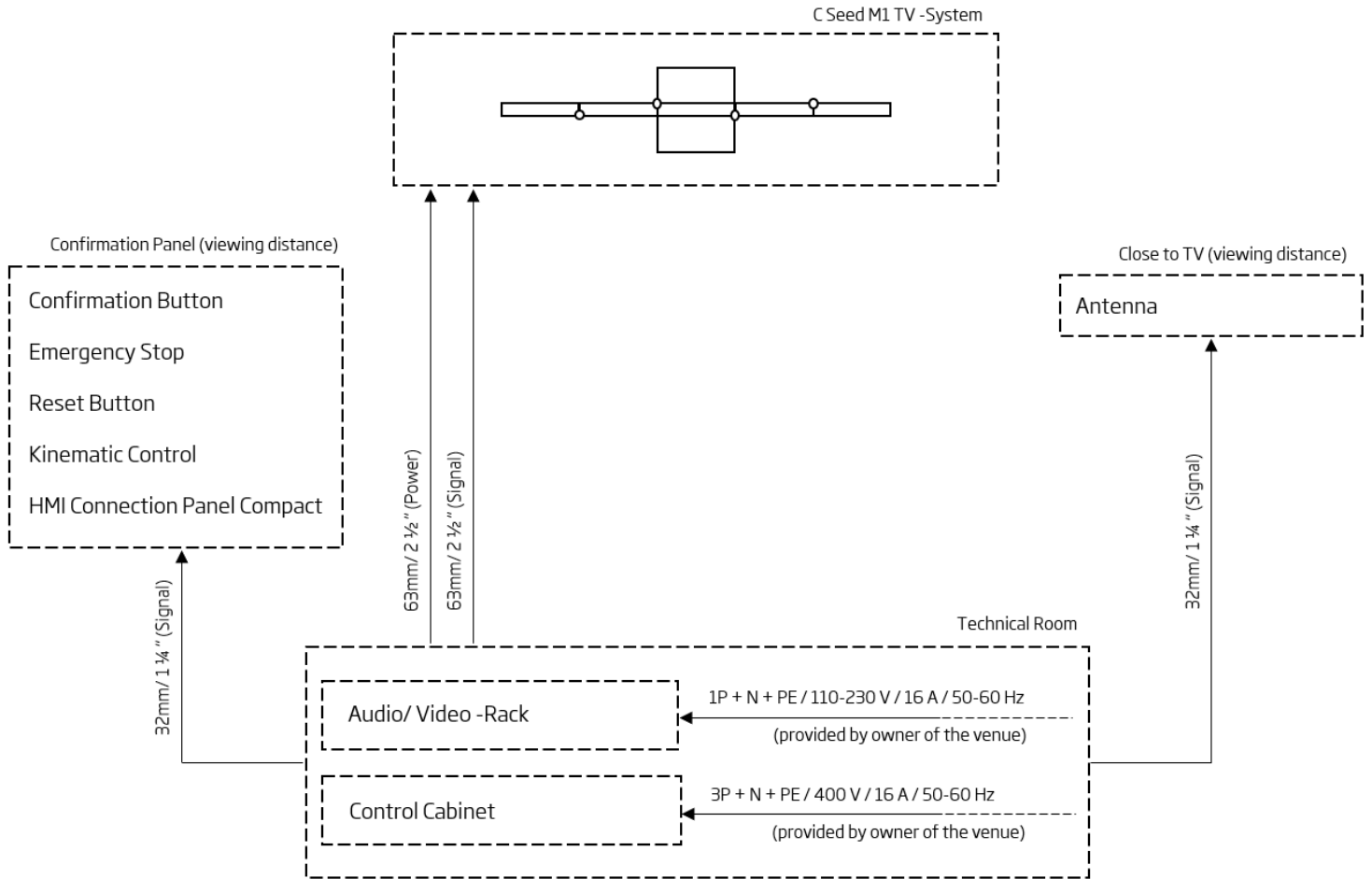
- 4088x1240x755 mm | 161x49x30 inches | LxWxD
- Earthing of the TV well (min. 3 times)
- Hatch-inlay thickness max. 12mm | 0.5inch (incl. glue) and max 25Kg/m² | 5lbs/sq.ft.

TECHNICAL ROOM

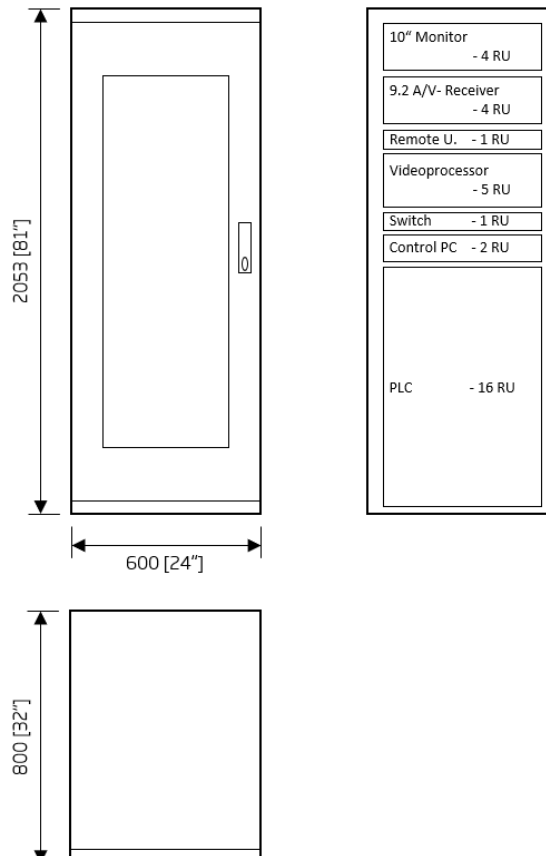
max. 50m | 160 feet to TV system

AV-Rack (will be supplied by C SEED)

- AV-Rack with 42RU - 600x2053x800 mm | 24x81x32 inches | WxHxD
- Feed cable with 5 pins or 4 pins plus additional earthing
- Connector on left side (200mm | 8 inches free space must be reserved)
- Power protection with a "fault-current circuit breaker AC/DC sensitive and electric frequency converter capable"
- SAT | Video | TV signals to be connected via HDMI inputs
- Internet connection as of beginning of installation (permanent!)



AV- Rack



**SERVICES PROVIDED BY AND
AT THE EXPENSES OF THE OWNER OF THE VENUE**

- Power Supply: Standard 3 x 400V+N+PE/16A/50-60Hz
 High-Leg-Delta 3 x 240V+PE/30A/50-60Hz

- Internet connection at the AV - Rack as of beginning of the installation
- WIFI I WLAN at the venue as of beginning of the installation
- Cabling ducts & conduits for TV system according C SEED electrical conduits plan (project specific)
- Cables and cable installation according to C SEED electrical cable plan (project specific)
- Sat I video I TV signals at the AV-Rack
- Connecting Power Supply by local electrician
- Electrical test protocol according to international standards of all cables must be provided to C SEED prior installation

SERVICES PROVIDED BY C SEED

- Site visit - meeting with construction company, civil engineer etc.
- Standard plan for construction of the TV well for local civil engineer
- Project related engineering package
- Coordination with local electrician
- Coordination with local sat I video I TV professional
- Implementation, programming & testing of the C SEED M1 165
- TCP/IP control protocol for home automation
- Operation training for technical staff of the venue
- Handover & Acceptance Protocol

Contacts

Owner representative _____

Construction company of the venue _____

C SEED Project manager _____

Vers.: 4.1/HP/25.07.23

“The information and specification contained in the implementation concept are information purpose only and are subject to change without prior notice”