

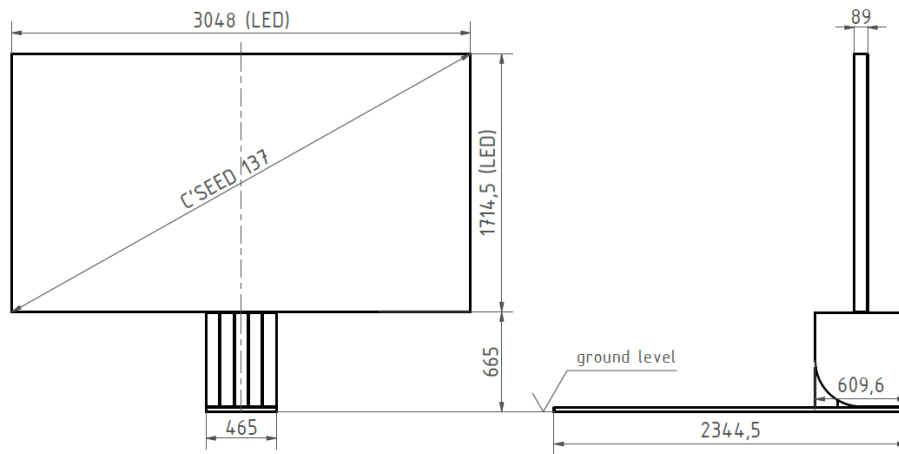


IMPLEMENTATION CONCEPT

C SEED N1
INDOOR 4K
137

C/SEED

THE UNFOLDING TV



PHYSICAL DIMENSIONS TV

| | | |
|-----------------------------|-----------------------|----------------|
| LED TV size (diagonal) | inch/mm | 137 / 3497 |
| LED TV size (width) | inch/mm | 120 / 3048 |
| LED TV size (height) | inch/mm | 67.5 / 1714.5 |
| Standard LED screen (depth) | inch/mm | 3.5 / 89 |
| LED TV area | sq.ft./m ² | 56.2 / 5.22 |
| Total system weight | | 680kg / 1500lb |

TV SYSTEM

| | | |
|--------------------------------------|---------|--------------------------------|
| Resolution | | 4K (UHD) |
| Brightness | nits | 1,000 |
| Pixel pitch | mm | 0.7 |
| Processing depth | bit | 16 per color |
| Color spectrum | colors | 64 billion |
| Refresh rate | Hz | 3,840 |
| Lifespan LED | h | 100,000 |
| Contrast ratio | | 30,000:1 |
| Color temperature | K | 3,000 - 10,000 |
| Viewing angle- horizontal vertical | degrees | 170 170 |
| Operating temperature range | | C°: 0 to +40 F°: +32 to +104 |
| Broadband speaker peak out | W | 2 x 100 |
| Broadband speaker frequency range | Hz | 60 - 22,000 |

INPUT / OUTPUT

| | |
|--------------------|-------------------------------|
| Video input | HDMI2.0/DP1.4 |
| Serial in/output | 2 x USB |
| Audio output | pre-amp, 9.2, independent sub |
| Network connection | 1 x RJ45 |

OPERATION

| | | |
|---------------------------------|-------------------------------|--------------------------------|
| Power supply LED screen | Single-Phase/Split-Phase (US) | 240V/120V+PE/60A(*32A)/50-60Hz |
| Input power max typical | W/m ² | 500 170 |
| Power consumption max typical | kW | 2.6 0.90 |

*only after review and approval of C SEED engineering

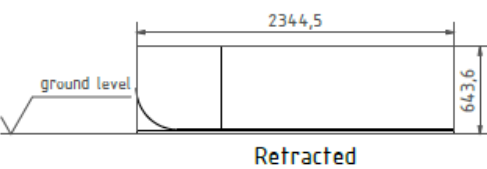
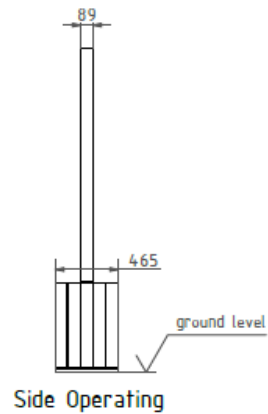
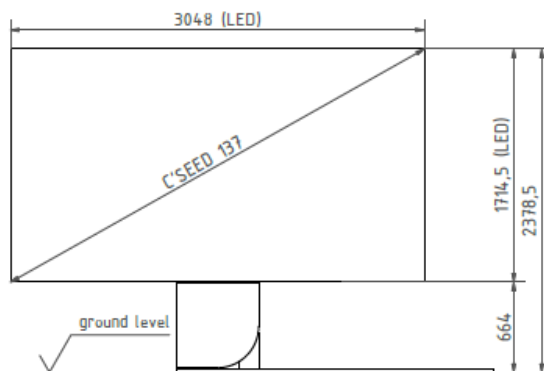
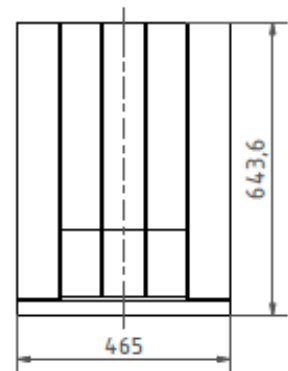
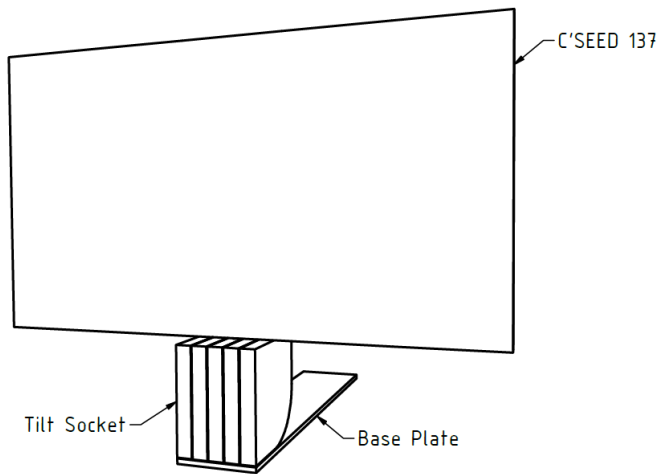
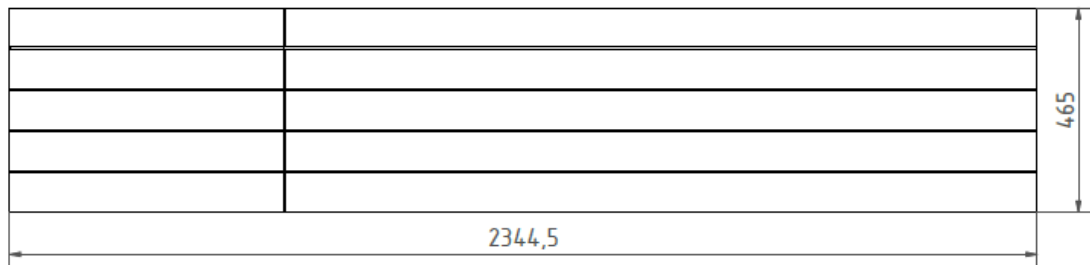
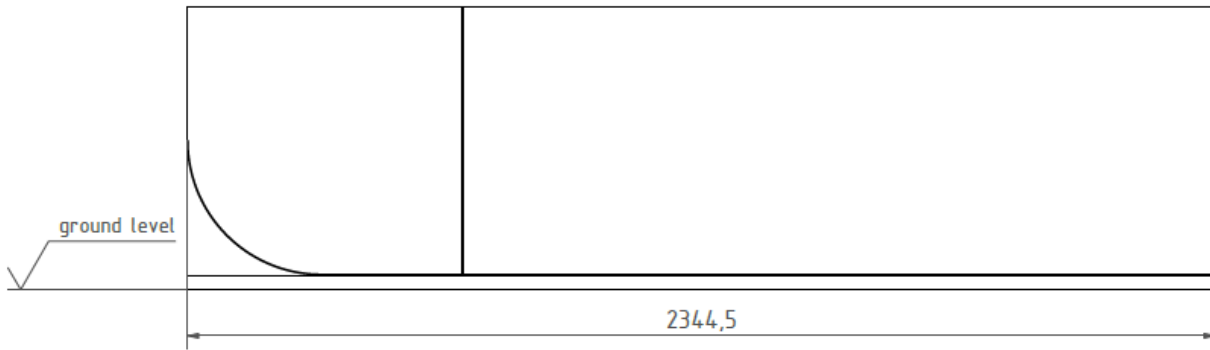
SPECIFIC FEATURES

| | |
|--------------------------------|---|
| Adaptive Gap Calibration (AGC) | TV-Rotation options: 180° left (counterclockwise) or 90° left & right |
| 4K LED HDR10+ Controller | Remote Control 9.2 AV-Receiver |

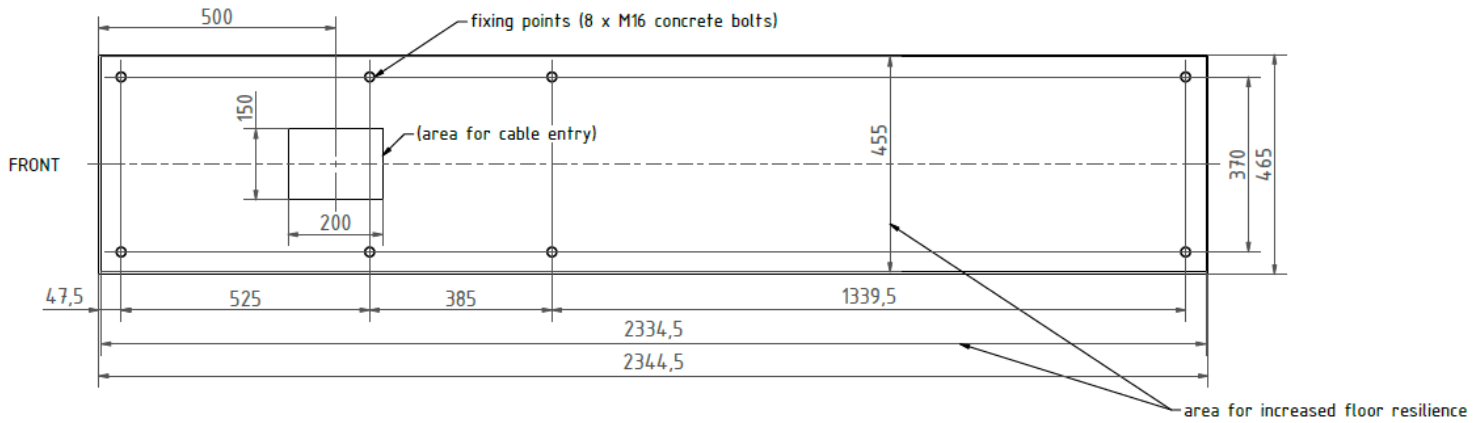


ACCORDING TO EXACT POSITIONS OF CABLING CONDUITS:

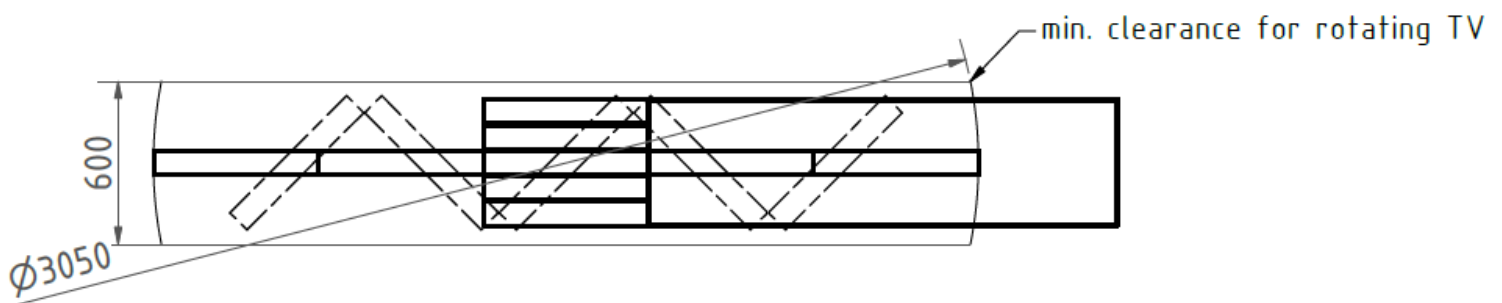
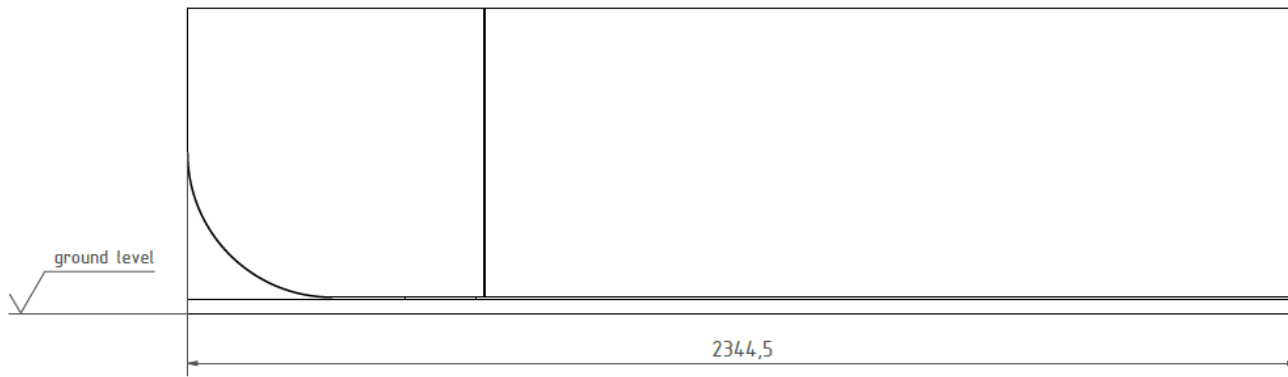
- C SEED N1 to AV-Rack in Technical room (max. 50 m | 160 feet)



bottom view



side view



Earthing

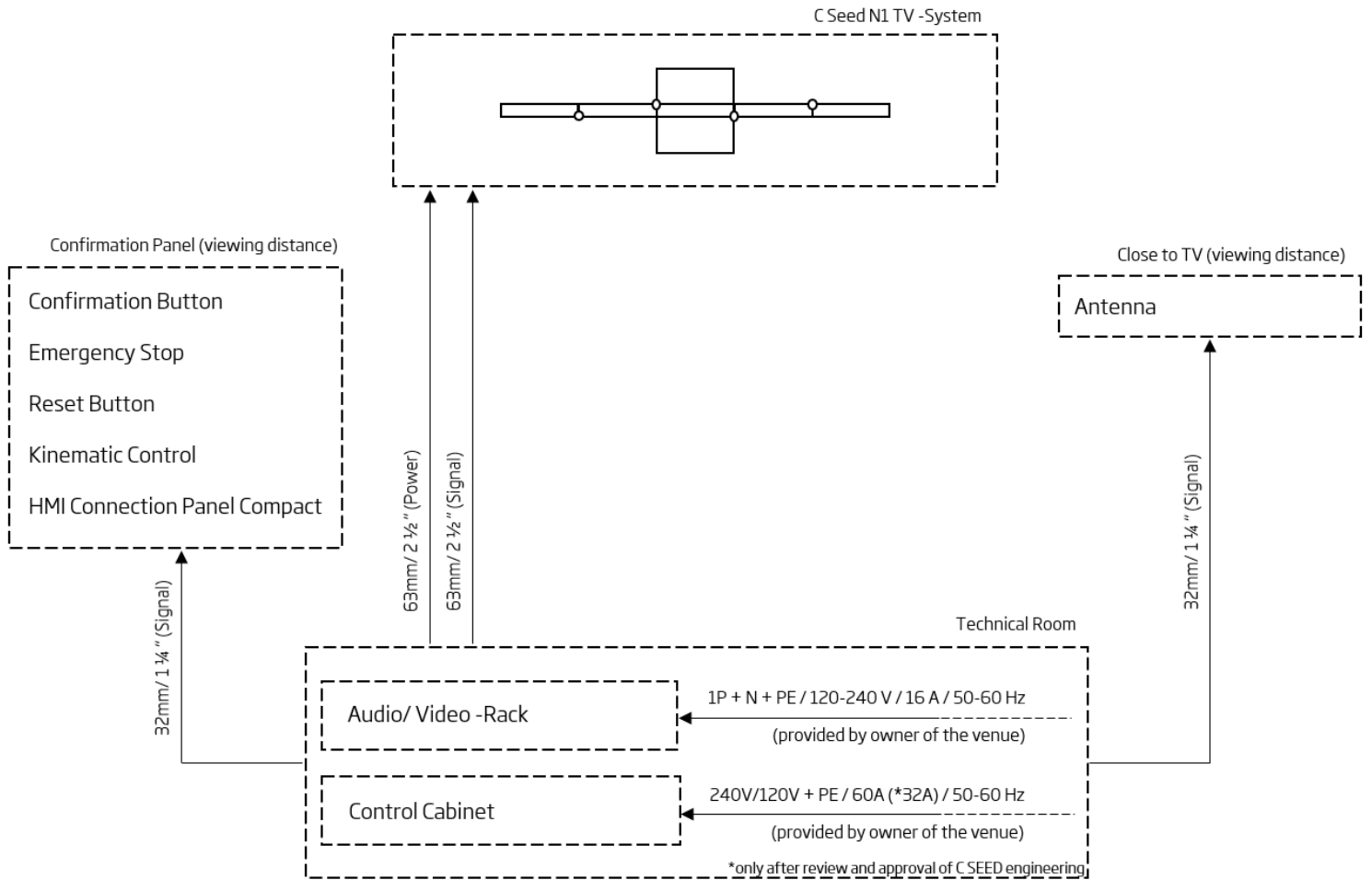
- Earthing of the TV well (min. 3 times)

TECHNICAL ROOM

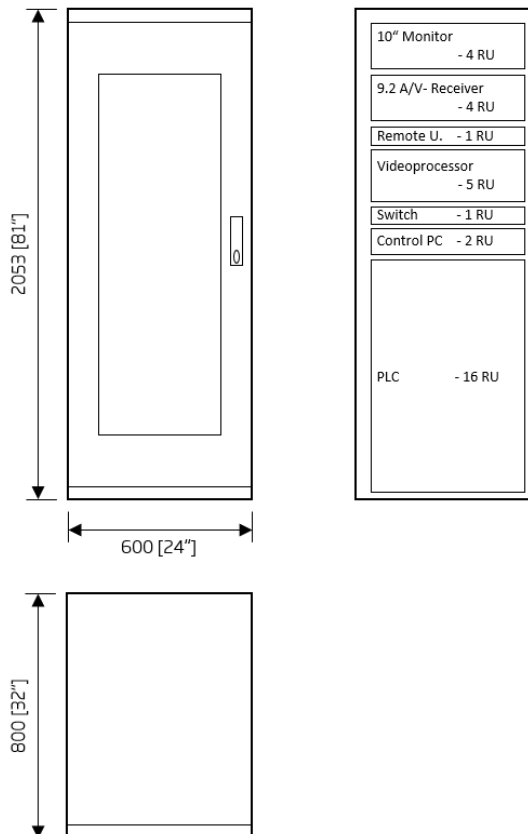
max. 50m | 160 feet to TV system

AV-Rack (will be supplied by C SEED)

- AV-Rack with 42RU - 600x2053x800 mm | 24x81x32 inches | WxHxD
- Feed cable with 5 pins or 4 pins plus additional earthing
- Power protection with a "fault-current circuit breaker AC/DC sensitive and electric frequency converter capable"
- SAT | Video | TV signals to be connected via HDMI inputs
- Internet connection as of beginning of installation (permanent!)



AV- Rack



**SERVICES PROVIDED BY AND
AT THE EXPENSES OF THE OWNER OF THE VENUE**

- Power Supply:
Single-Phase/Split-Phase (US): 240V/120V+PE/60A(*32A)/50-60Hz
*only after review and approval of C SEED engineering
- Internet connection at the AV - Rack as of beginning of the installation
- WIFI I WLAN at the venue as of beginning of the installation
- Cabling ducts & conduits for TV system according C SEED electrical conduits plan (project specific)
- Cables and cable installation according to C SEED electrical cable plan (project specific)
- Sat I video I TV signals at the AV-Rack
- Connecting Power Supply by local electrician
- Electrical test protocol according to international standards of all cables must be provided to C SEED prior installation

SERVICES PROVIDED BY C SEED

- Site visit - meeting with construction company, civil engineer etc.
- Project related engineering package
- Coordination with local electrician
- Coordination with local sat I video I TV professional
- Implementation, programming & testing of the C SEED N1 137
- TCP/IP control protocol for home automation
- Operation training for technical staff of the venue
- Handover & Acceptance Protocol

Contacts

| | |
|-----------------------------------|--|
| Owner representative | |
| Construction company of the venue | |
| C SEED Project manager | |

Vers.: 4.1/HP/25.07.23

“The information and specification contained in the implementation concept are information purpose only and are subject to change without prior notice”