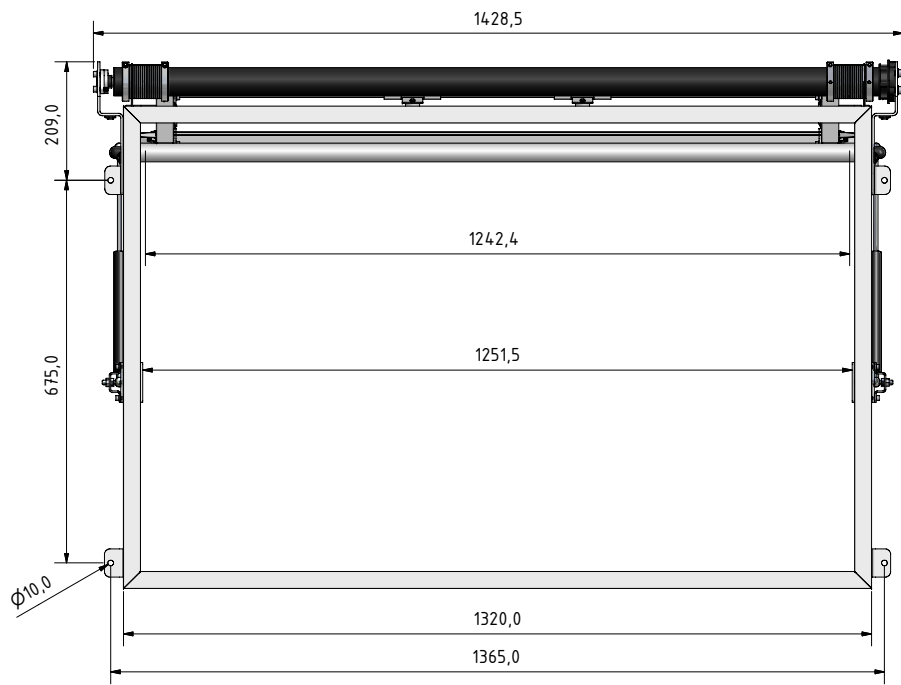
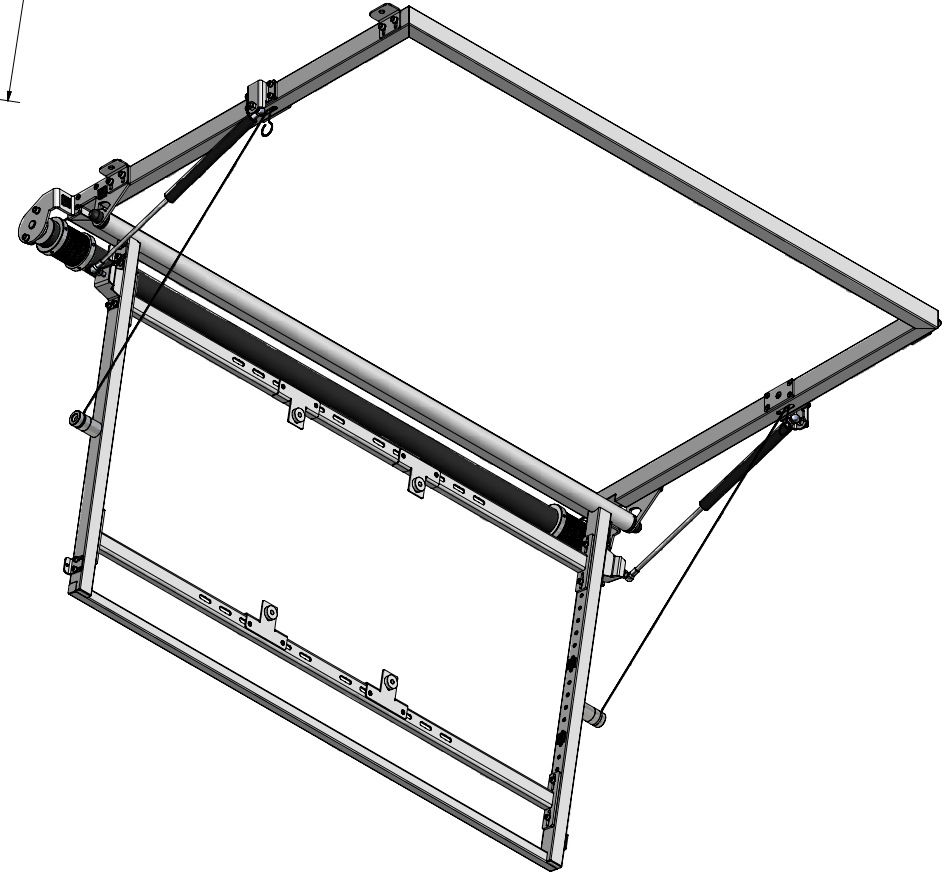
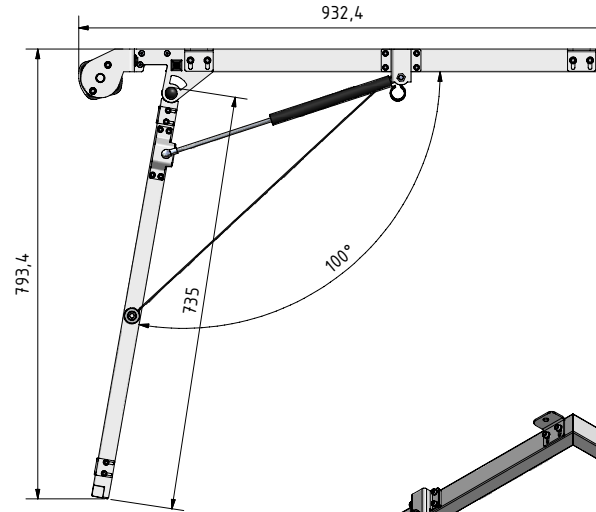
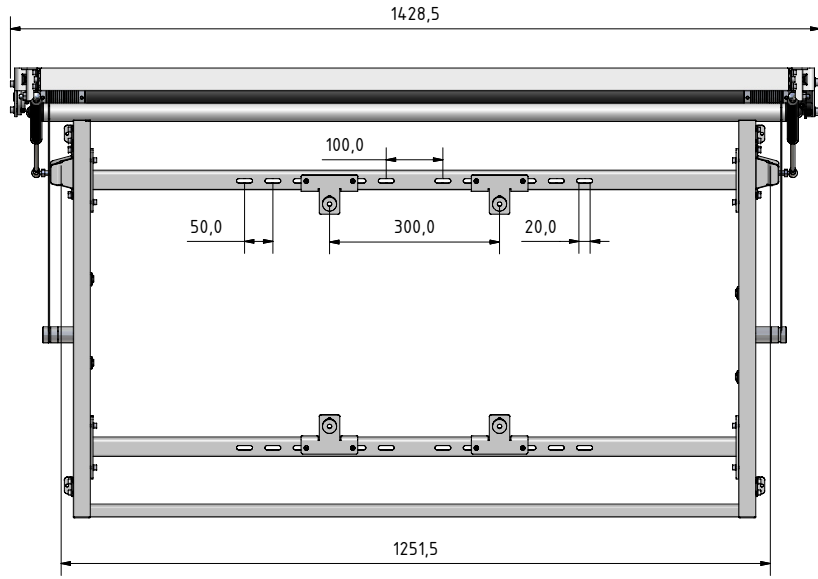


# FPLCV6-55 OPEN



CATEGORY	FLAT PANEL CEILING LIFT	DRAWING TYPE	
MODEL	FPLCV6_55"	DRAFT	FINAL
FEATURE	ULTRA SLIM LIFT, OPENING ANGLE UP TO 100°	REVISION	DATE
COLOUR	POWDER COATING RAL9005 (BLACK BUFF) or RAL 9016 (WHITE)	NO	
DRAWING No	V1.1.03102018-SK	NO	

