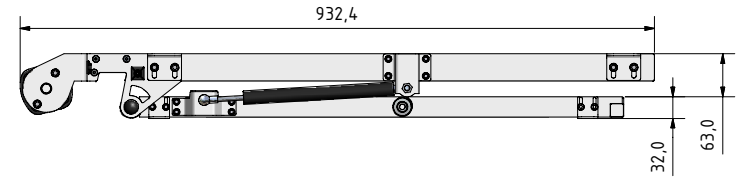
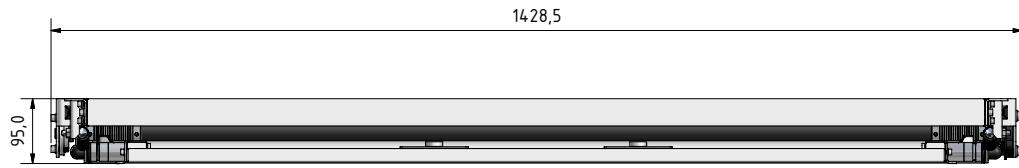
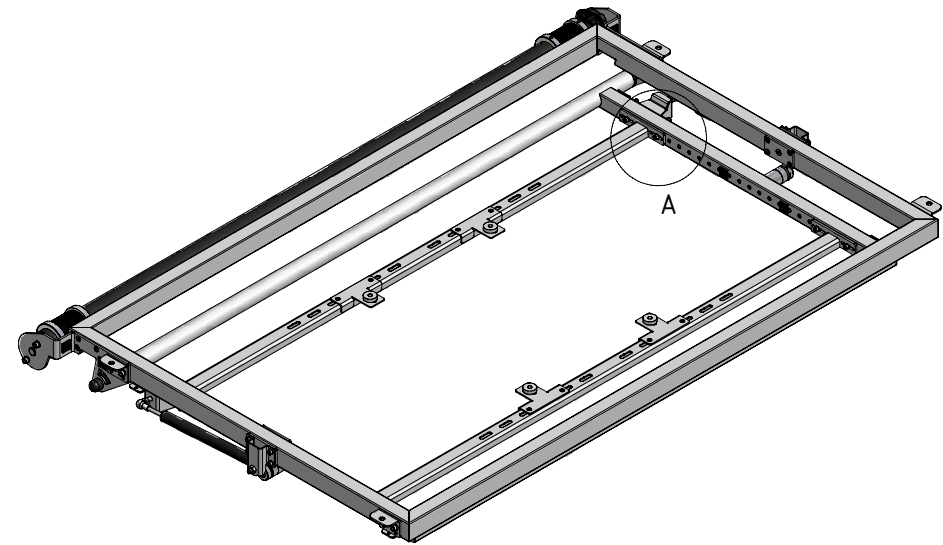
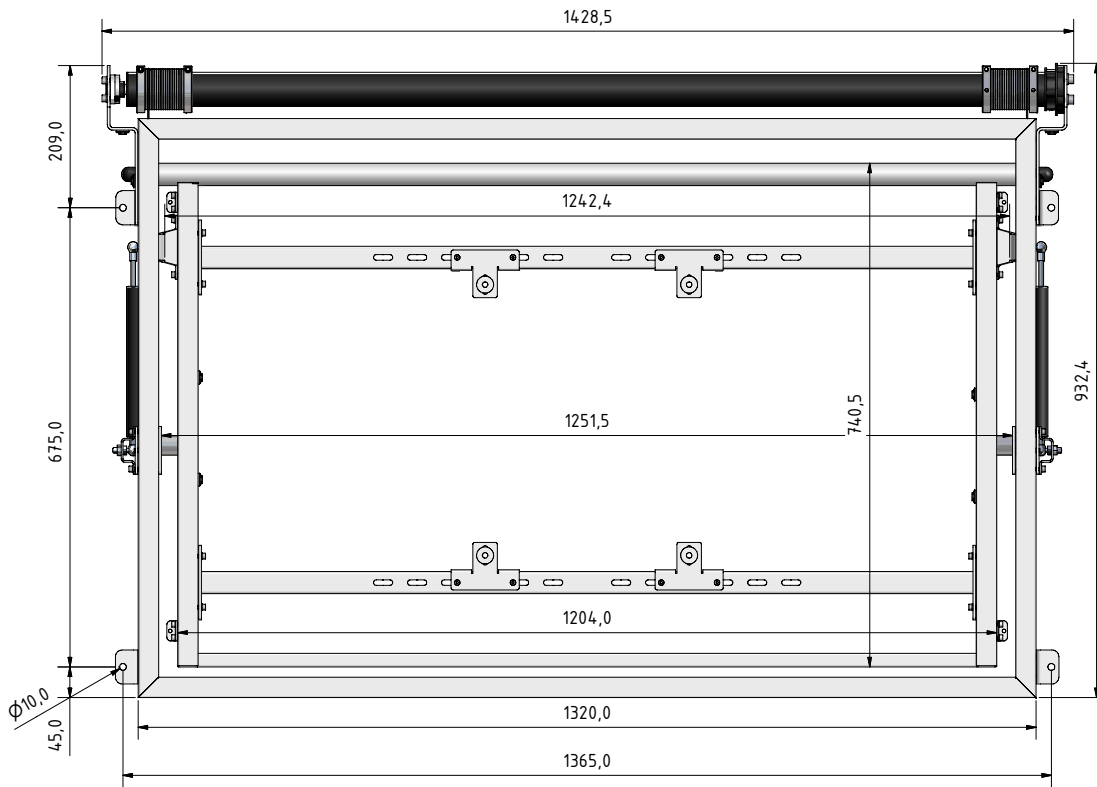
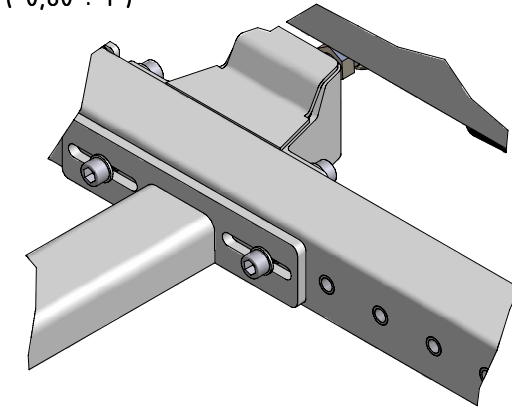


# FPLCV6-55 CLOSED



A ( 0,80 : 1 )



CATEGORY	FLAT PANEL CEILING LIFT	DRAWING TYPE	
MODEL	FPLCV6_55"	DRAFT	FINAL
FEATURE	ULTRA SLIM LIFT, OPENING ANGLE UP TO 100°		x
COLOUR	POWDER COATING RAL9005 (BLACK BUFF)	REVERSION	DATE
DRAWING No	V1.1.03102018-SK	NO	

