

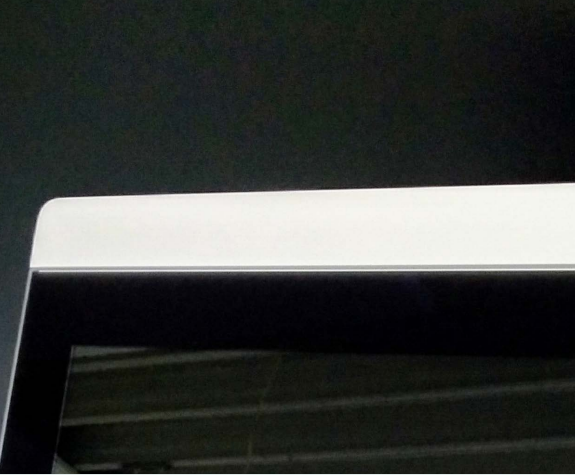
Slim & elegant

The TECNIS inTable is a slim and flat screen, and thus can be installed in almost any surface - flush. The glass surface is robust, the brushed aluminum is elegant. Designed for a variety of applications, tables and furniture, whether lounge, desk, concierge, counter, coffee table or lectern.

Various Colour options make it customizable. For digital signage and wayfinding systems, you can also put the TECNIS in the wall. All TECNIS inTable are available with or without touchscreen.

Unique.
Made in Germany.
Made by ELEMENT ONE.

TECNIS inTable 220



Features

- Slim Monitor Housing 25 mm
- Designed for flush integration
- 2 mm Anti-reflective safety glass
- Compact Housing Dimensions
- Milled aluminum, brushed, silver anodized Monitor-Housing
- Passive Cooling without Ventilation Openings
- HDMI HDCP compliant; FullHD
- Maintenance free
- Durable HighFlex Cables
- All-Aluminum Body
- EMC protected



FEATURES

TECNIS inTable 220



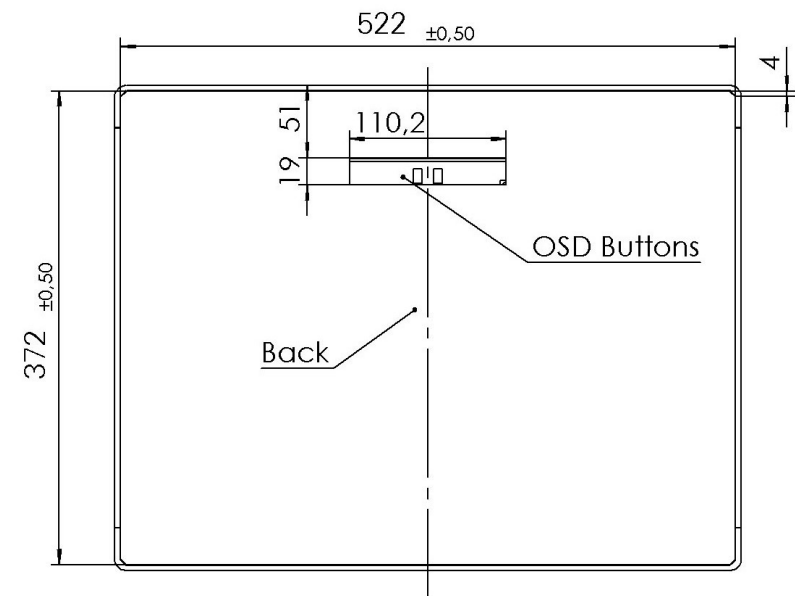
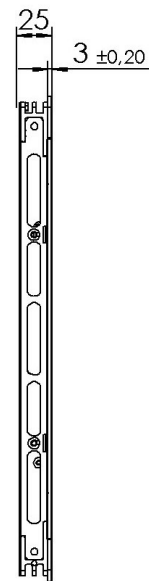
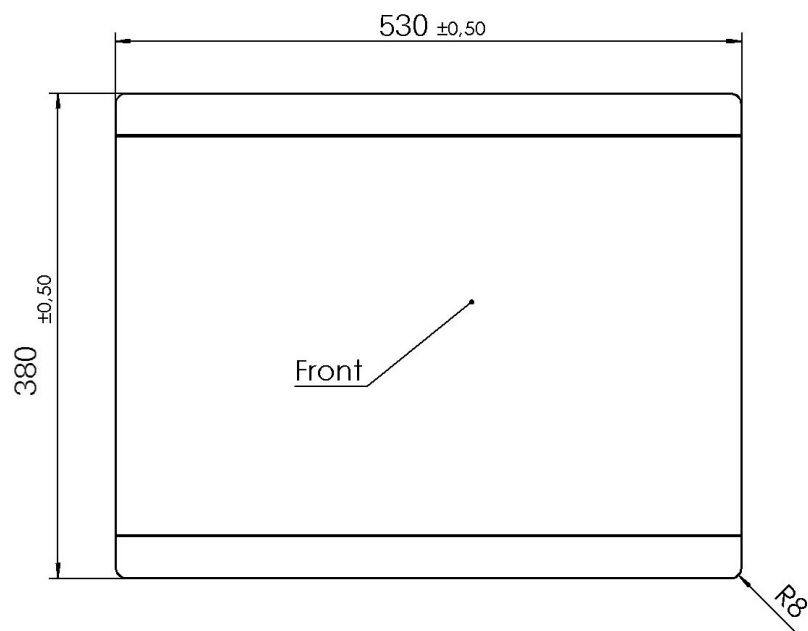
TECHNICAL DATA

Product Specification



| | | | |
|-----------------|------------------------------------------------------------------------------|---------------------------|----------------------------------------------------------------------------------------------------------------------------------|
| Art.No. | 422-220-3 | Screen size: | 21,5" (16:9) |
| Type | TECNIS 220 inTable FullHD | Resolution: | 1920 x 1080 - Full HD, 16,7 Million colors |
| Function | 25mm slim Design Aluminum 21.5" Monitor for flush table or wall integration. | Brightness: | 250 cd/m2 |
| Material | Milled aluminum, silver anodized, 2 mm anti-reflective glass | Contrast: | (typ.) 1000:1 |
| | | Viewing Angle: | Horizontal 178 ° / vertical 178° |
| | | LED Life: | up to 50,000 hours |
| | | Mass: | 4.7 kg |
| | | Dimensions: | 530 x 380 x 25 mm (LxWxD) |
| | | Power Consumption: | typ. 15 Watts |
| | | P.C. Display: | OFF: 0.12 Watts, Sleep: 0.60 Watts, ON: 19 Watts |
| | | Video Interface: | HDMI, Displayport *, DVI ** |
| | | Scope of supply: | Desktop Power Supply - Input: 100-240V AC, 50 / 60Hz. 1.5A; Output: 12V 60W MAX 5.A (Cable length DC ~ 140cm) Power cord 1.5m |

* optional, additional Interface | ** optional, instead of HDMI



Dimensions



We'd be delighted to offer our expertise in the planning and selection of the right solution for your needs. If required, we can send further technical drawings, detailed photographs, material samples and, of course, demo devices – perfect to handle and try out.

Simply call us on +49 (0)7222 96654-20

Or send us an e-mail at: info@element-one.de

**ELEMENT ONE
Multimedia GmbH**
Zum Murgdamm 5
76456 Kuppenheim
Germany

Fon: +49 (0) 7222 966 54 20
Mail: info@element-one.de
www.element-one.de