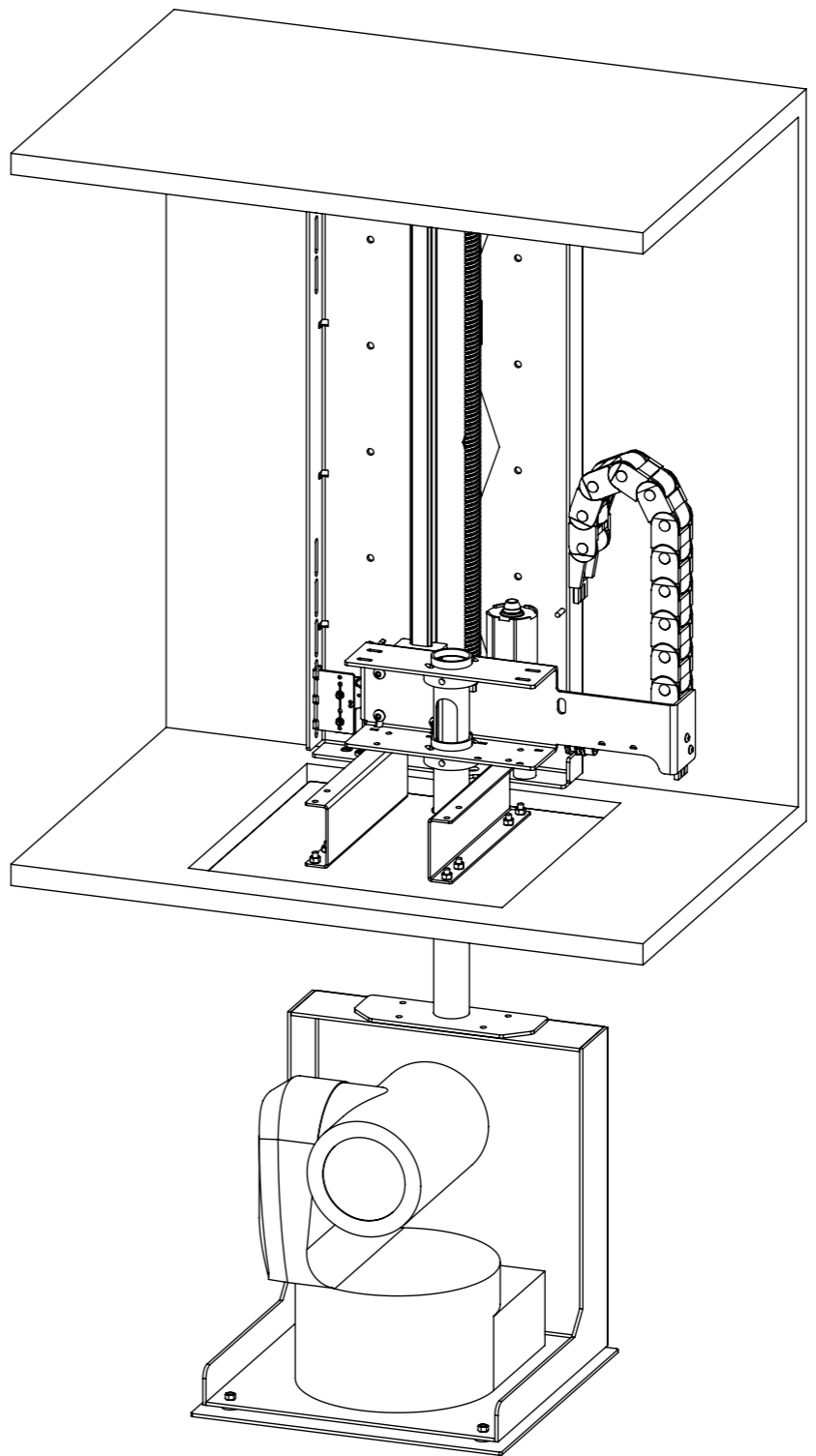
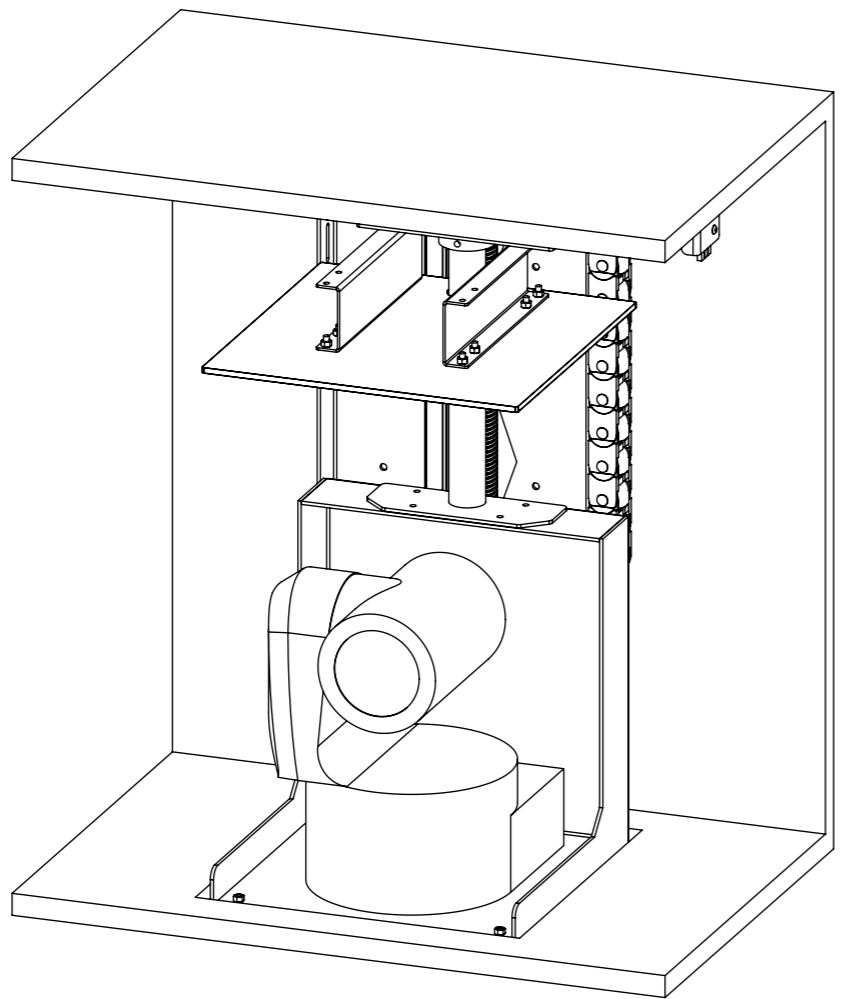


I-LSL-VC

INVERTED LIFT SYSTEM FOR VIDEO CAMERA



future automation



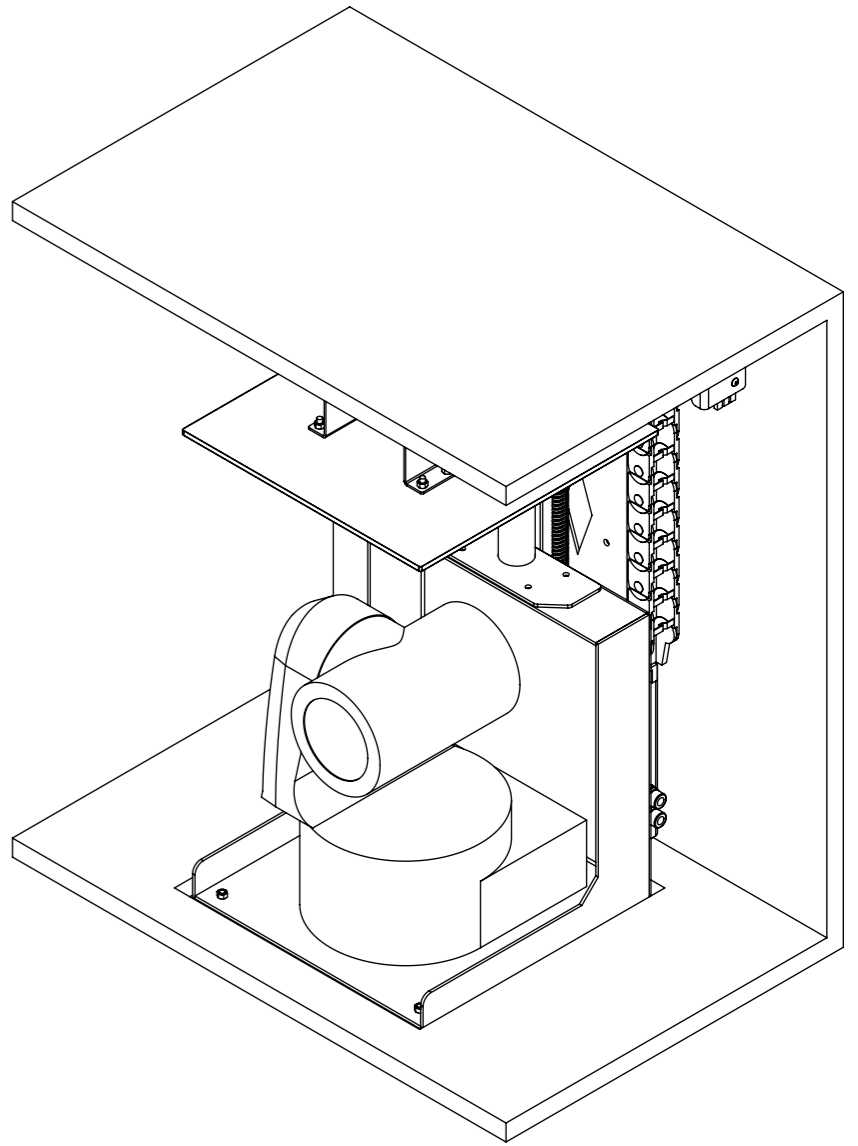
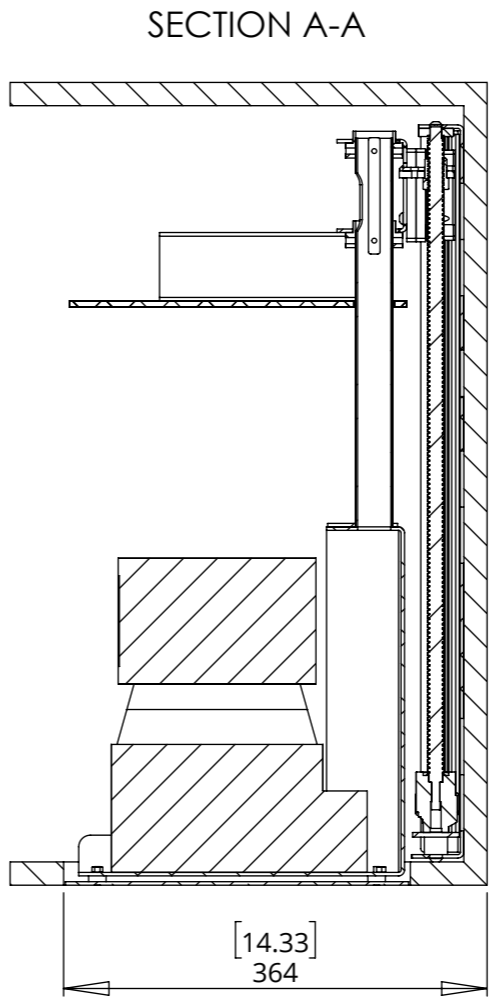
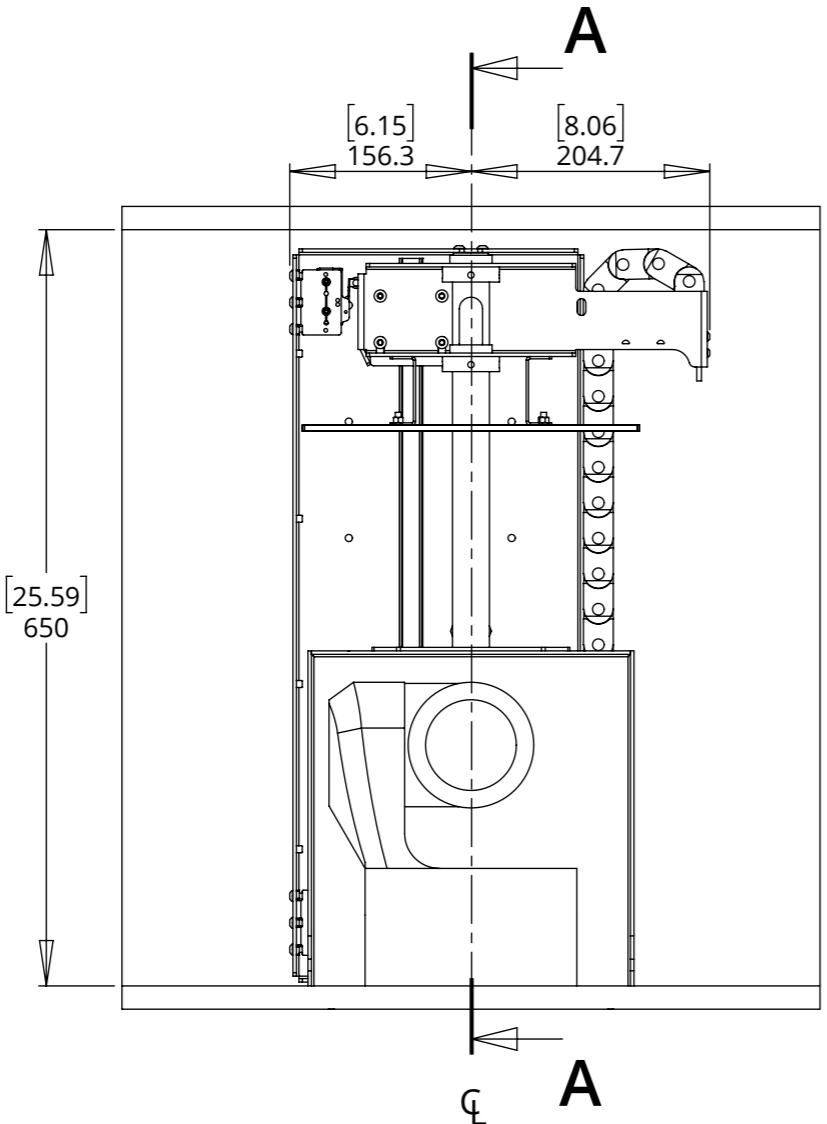
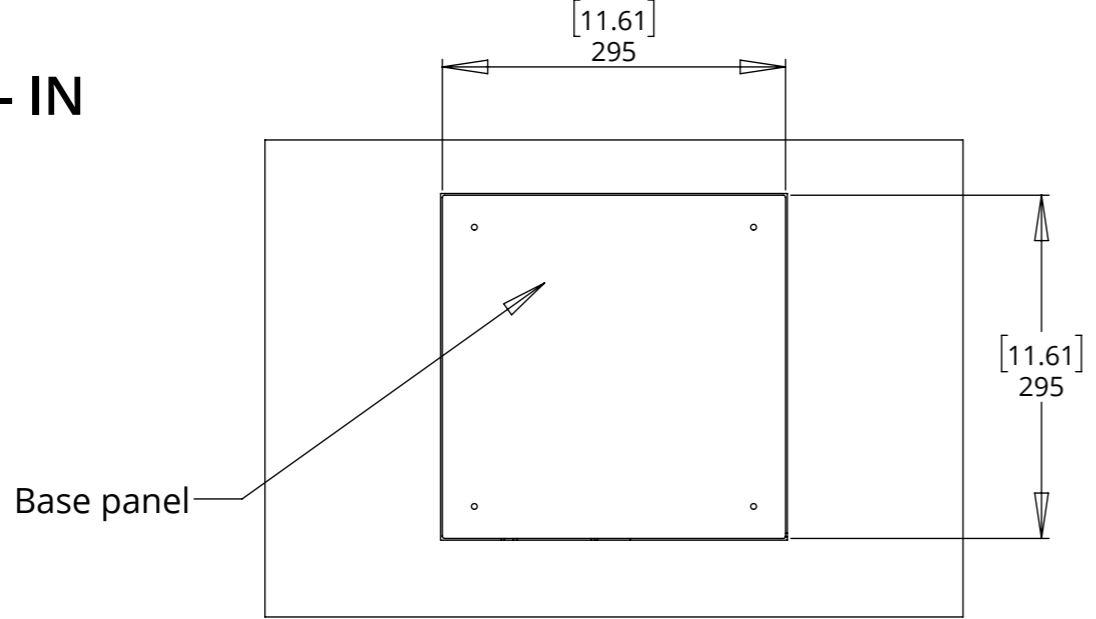
I-LSL-VC

INVERTED LIFT SYSTEM FOR VIDEO CAMERA



future automation

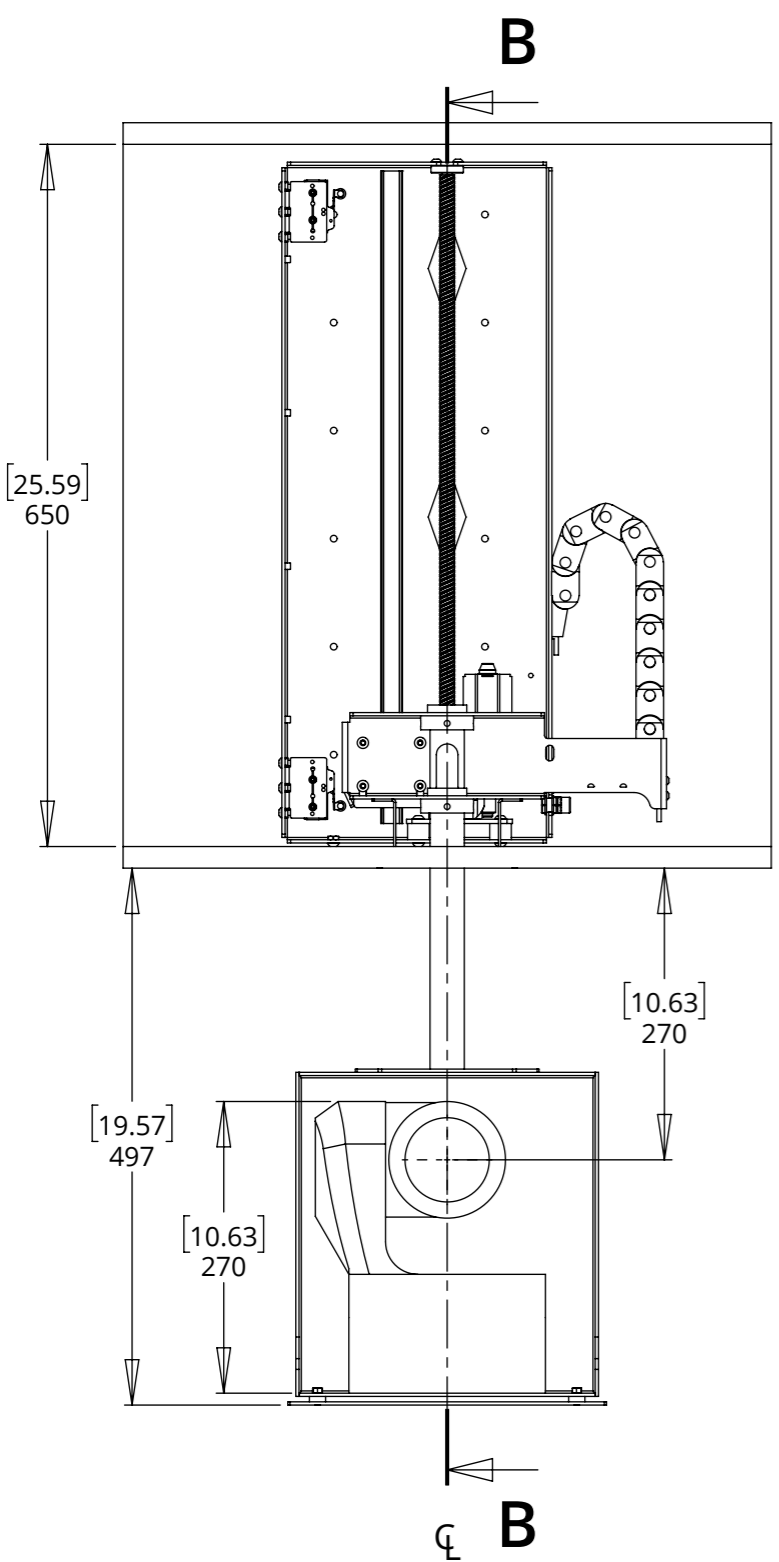
DIMENSIONS - IN



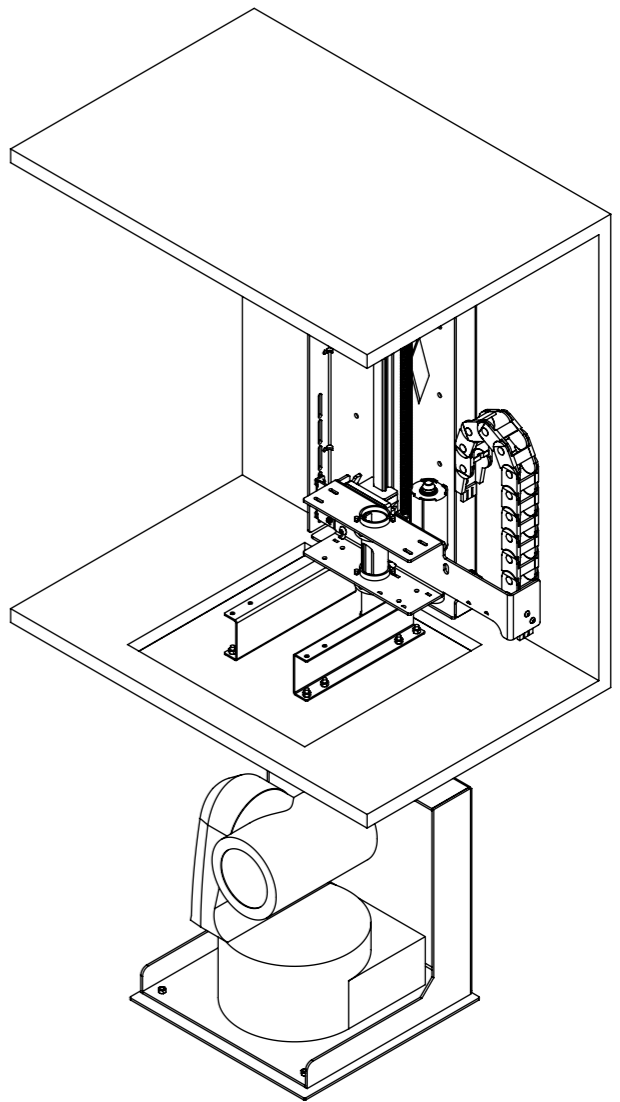
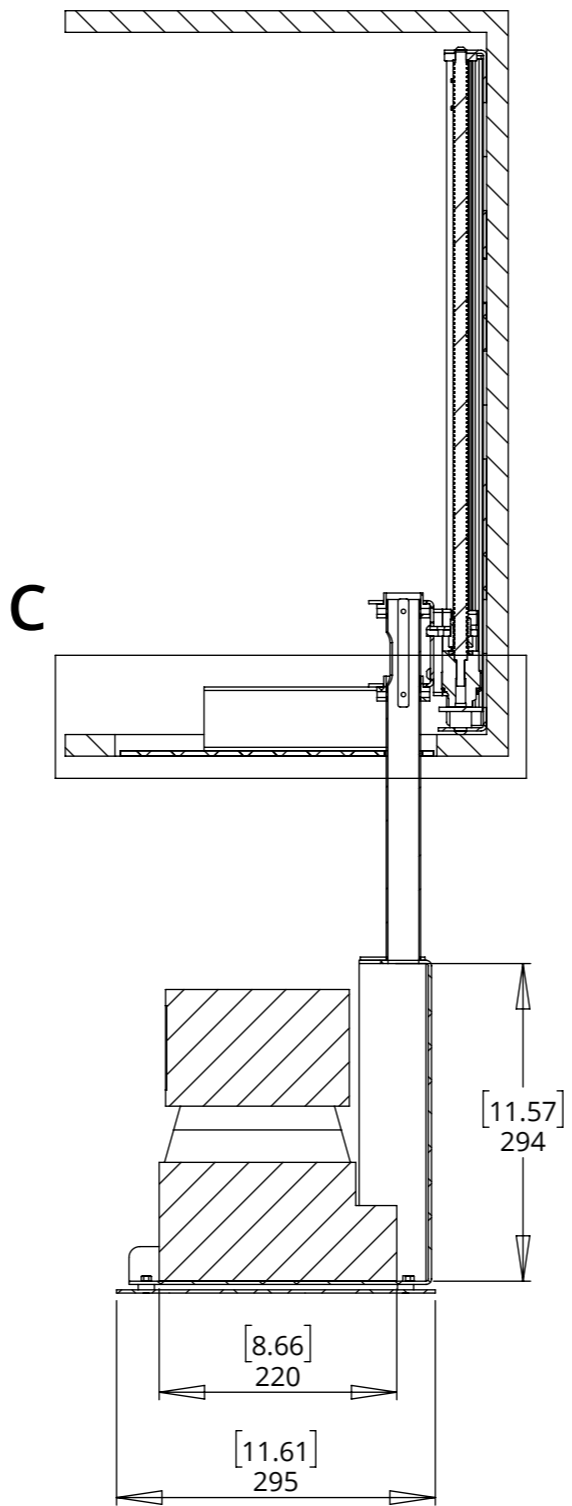
I-LSL-VC

INVERTED LIFT SYSTEM FOR VIDEO CAMERA

DIMENSIONS - OUT



SECTION B-B



DETAIL C

