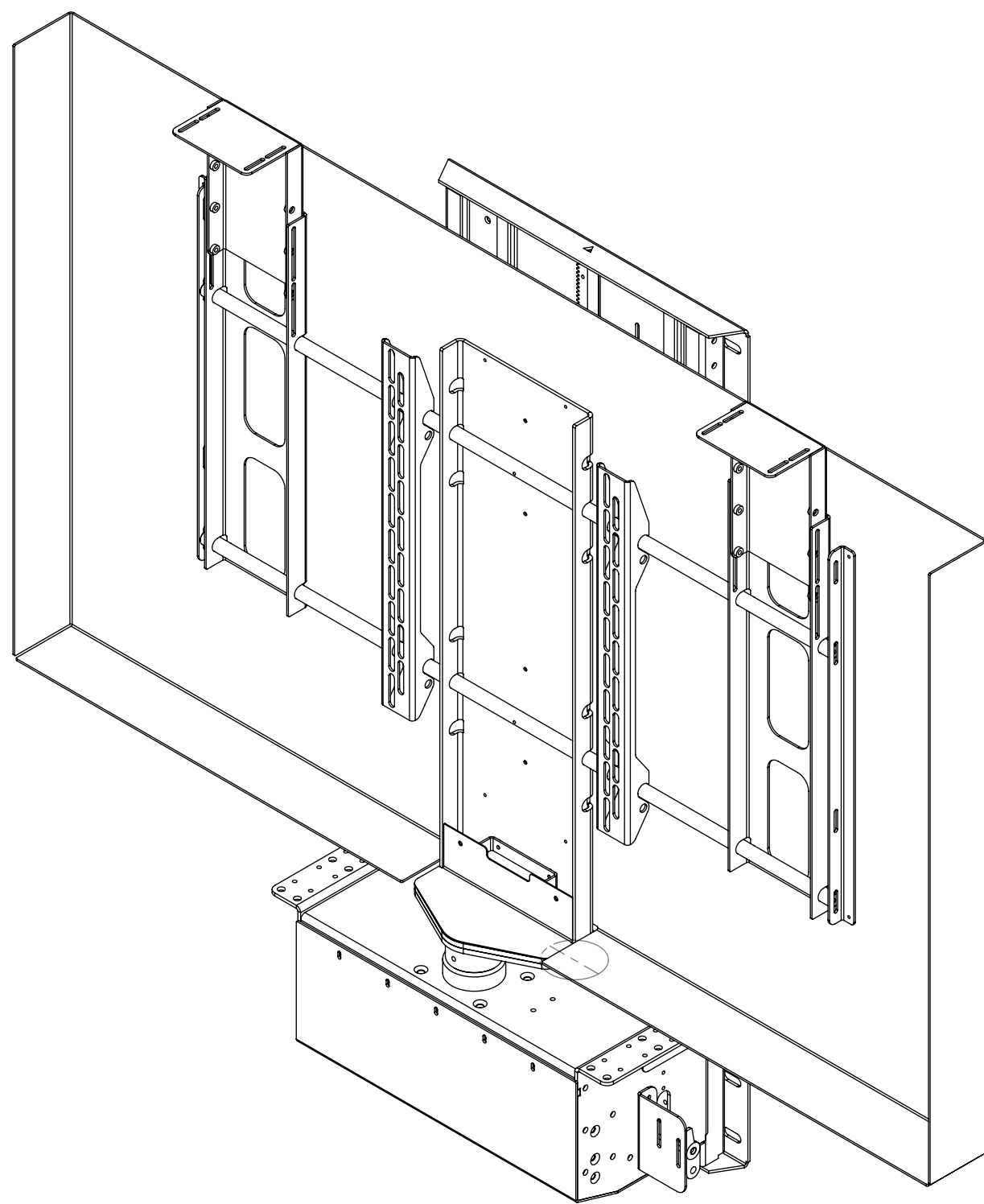


LSH-S-MO



future automation

MARINE OUTDOOR LIFT SYSTEM HEAVY WITH SWIVEL



LSH-S-MO

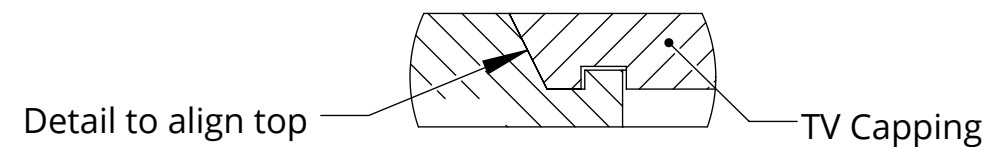


future automation

MARINE OUTDOOR LIFT SYSTEM HEAVY WITH SWIVEL

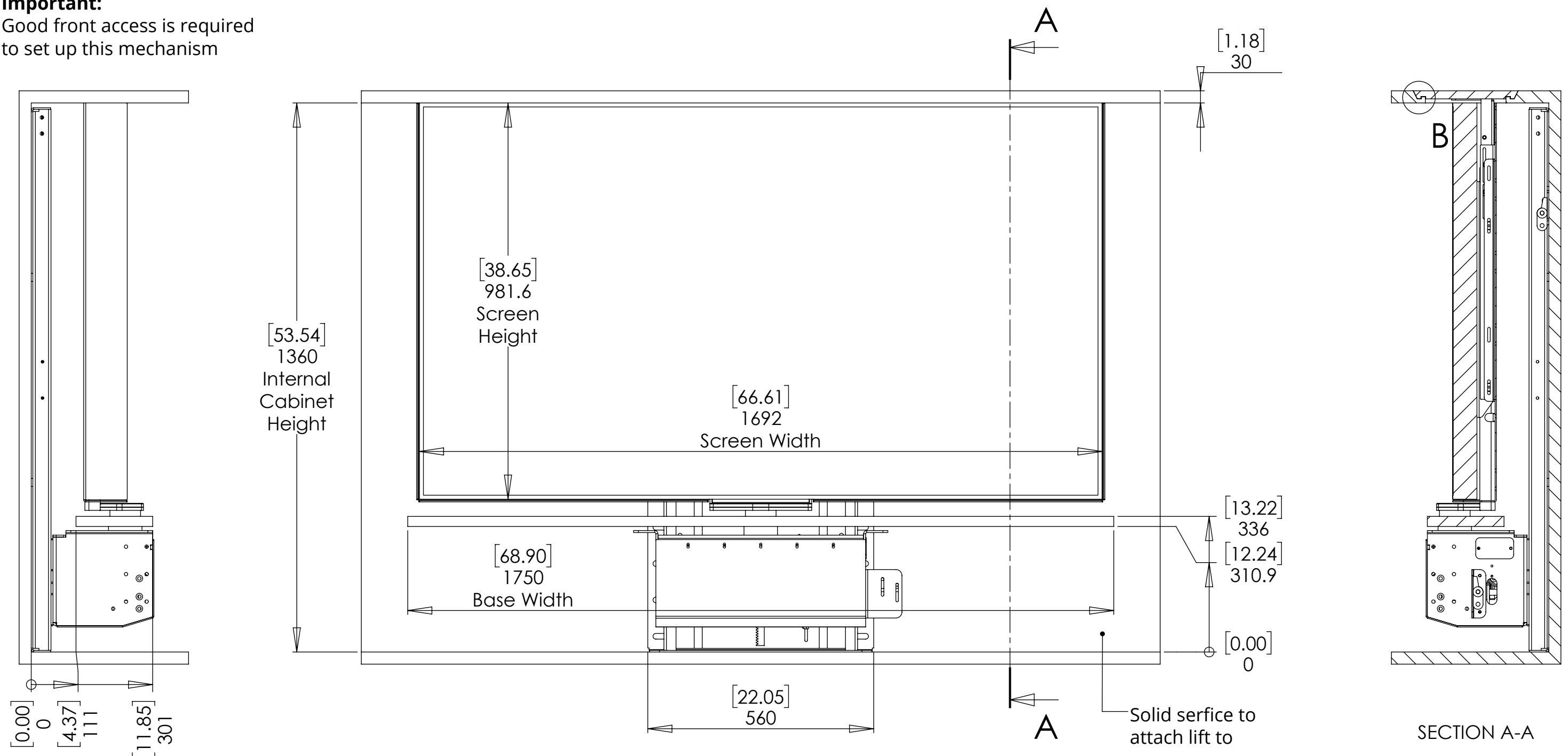
GENERAL DIMENSIONS - LIFT DOWN

Dimensions shown are for a custom LSH-S-MO for the Samsung 75" Terrace



DETAIL B
SCALE 1 : 2

Important:
Good front access is required to set up this mechanism



LSH-S-MO

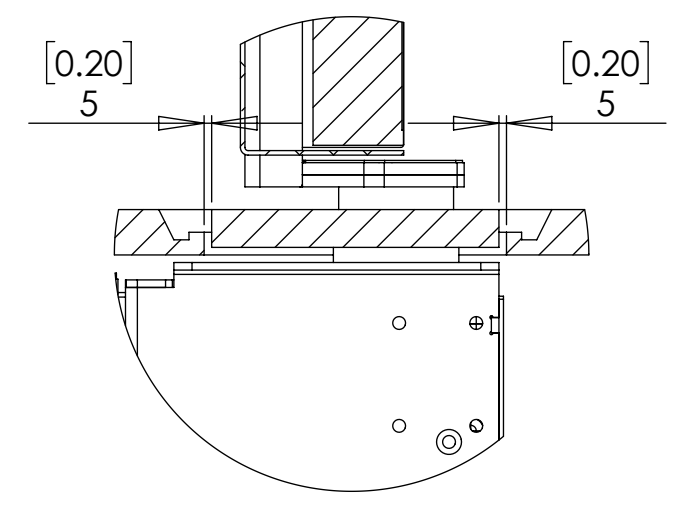
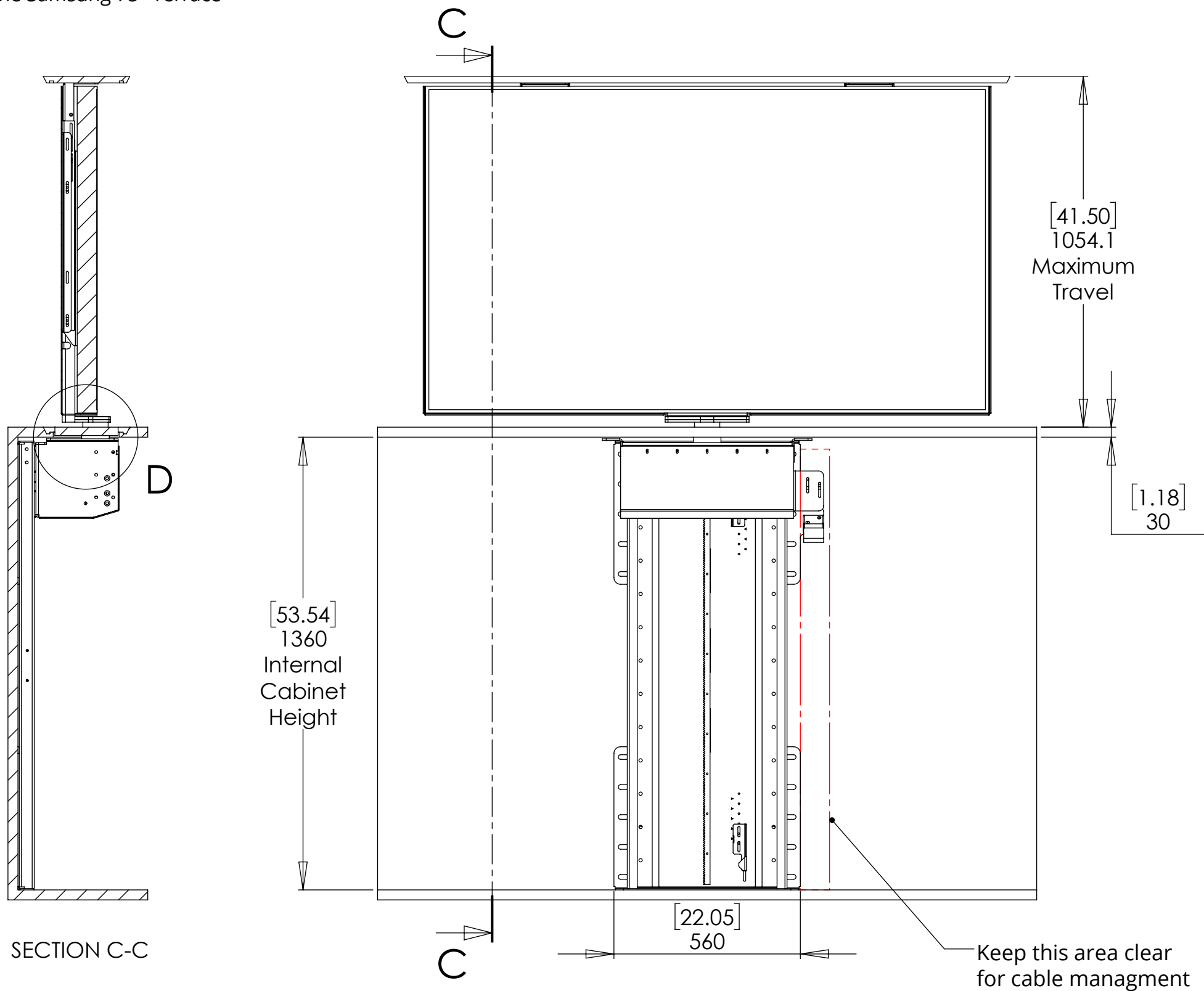


future automation

MARINE OUTDOOR LIFT SYSTEM HEAVY WITH SWIVEL

GENERAL DIMENSIONS - LIFT DOWN

Dimensions shown are for a custom LSH-S-MO for the Samsung 75" Terrace



SECTION C-C

LSH-S-MO



future automation

MARINE OUTDOOR LIFT SYSTEM HEAVY WITH SWIVEL

Up Position

Down Position

